



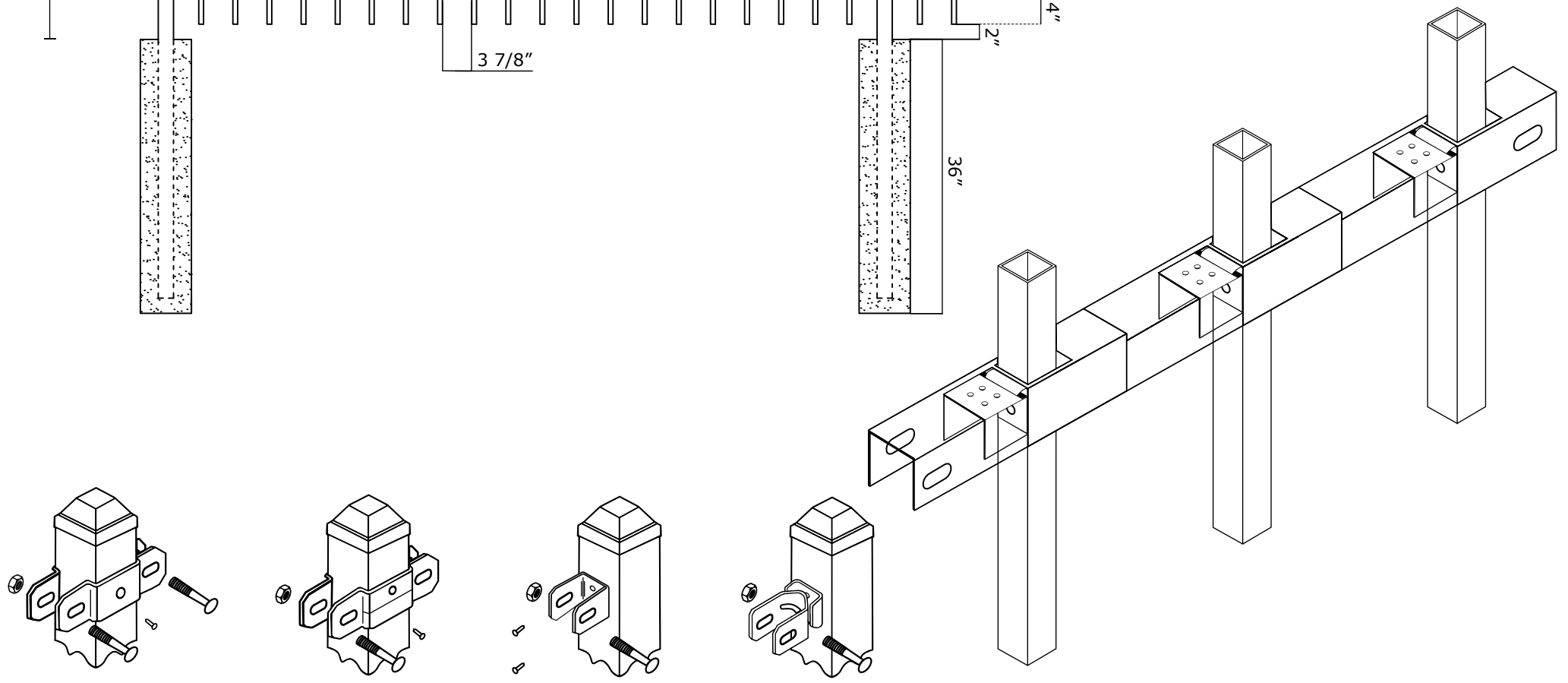
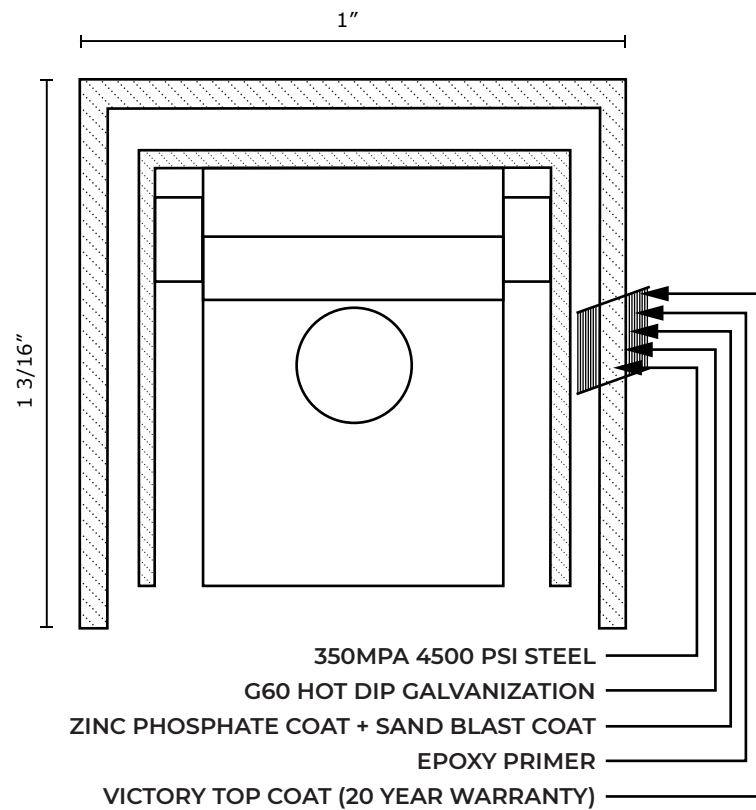
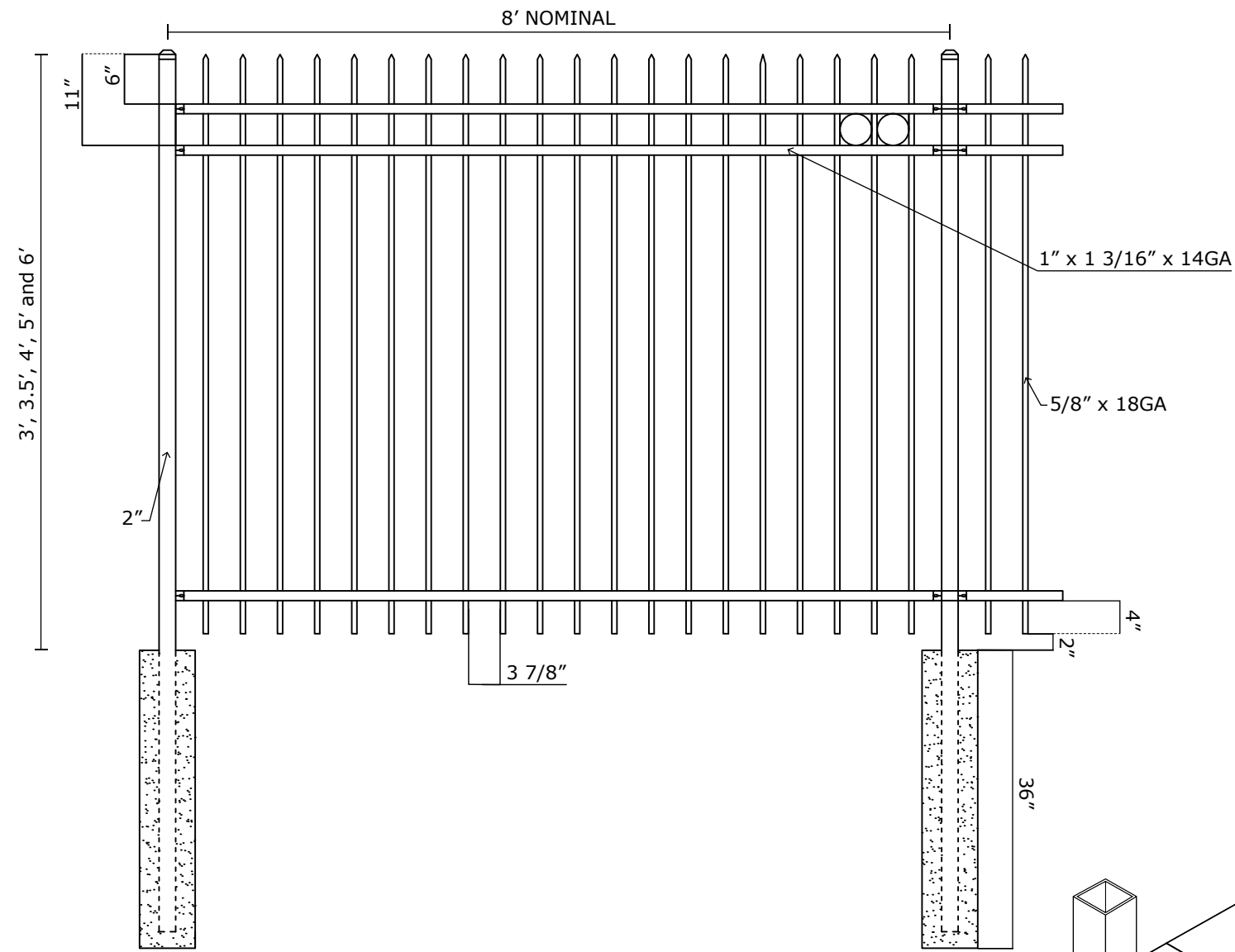
**VICTORY 3R RES PINCH SPEAR W/  
EXTENDED PICKET SPECIFICATIONS**

Pickets: 5/8" x 18GA

Rails: 1" x 1 3/16" SQ x 14GA

Posts: 2" SQ x 16GA

Heights: 3', 3.5', 4', 5' and 6'



**VANTAGE FENCE**  
VICTORY RESIDENTIAL PANELS  
[www.vantagefence.com](http://www.vantagefence.com)

**3R VIC RES PINCH SPEAR W/ EXTENDED PICKET**