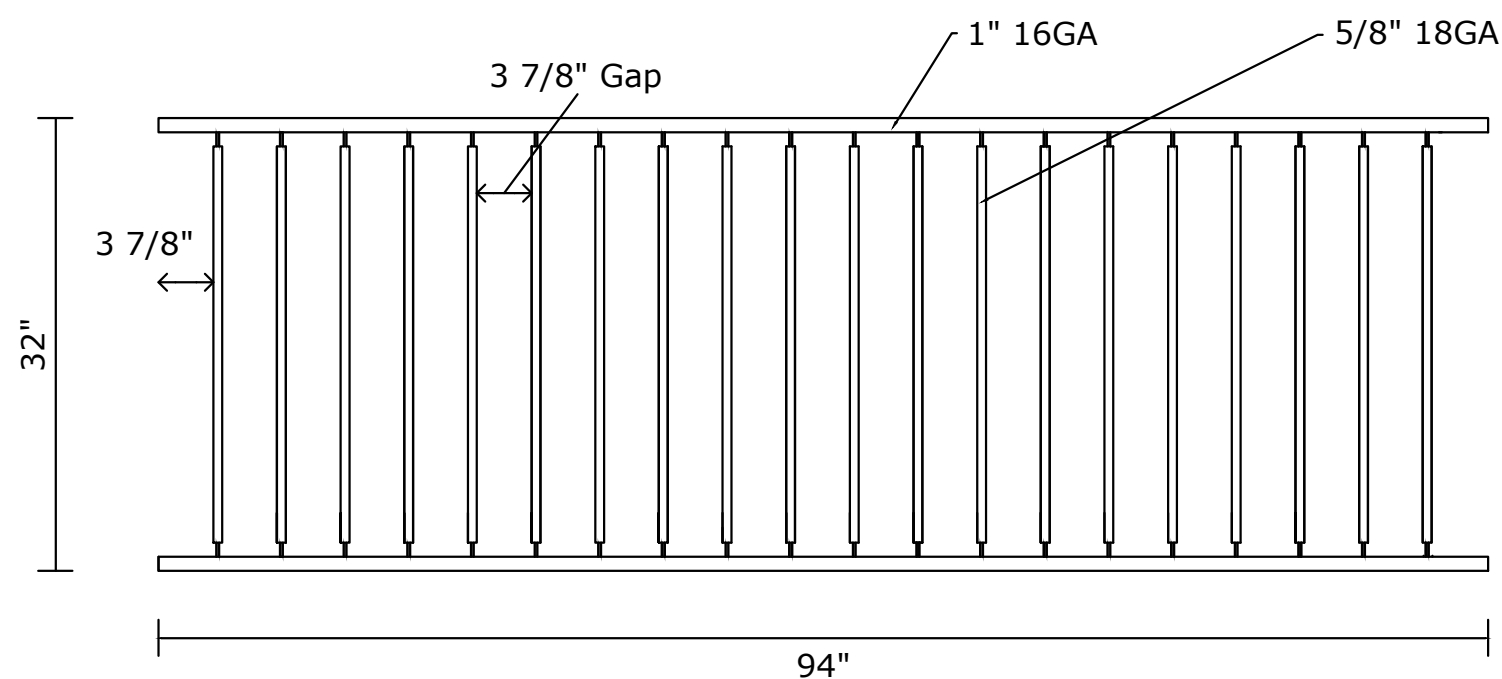




## Bentleigh Panel Specifications

Top / Bottom Rail: 1" SQ x GALV 16 GA RAIL  
Pickets: 5/8" SQ x GALV 18 GA PICKET  
Picket Space: 3 7/8"

End Spacing: 3 7/8"  
Pickets Cut and Welded  
Coating: PRE-GALVANIZED and BLACK POWDER COATING



**VANTAGE FENCE**  
Premier Metal Fence Wholesale Supplier  
[www.vantagefence.com](http://www.vantagefence.com)

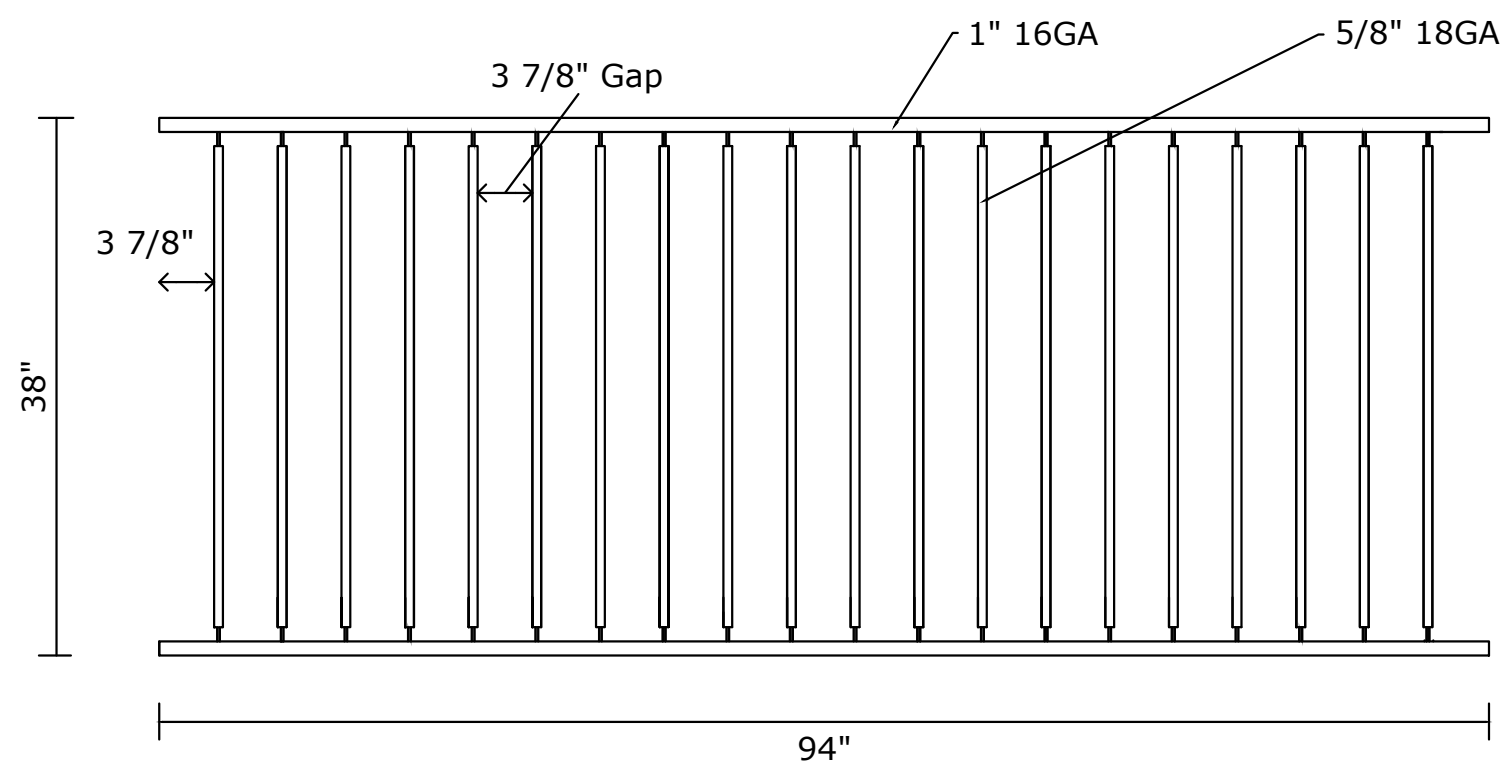
# Residential Panels



## Bentleigh Panel Specifications

Top / Bottom Rail: 1" SQ x GALV 16 GA RAIL  
Pickets: 5/8" SQ x GALV 18 GA PICKET  
Picket Space: 3 7/8"

End Spacing: 3 7/8"  
Pickets Cut and Welded  
Coating: PRE-GALVANIZED and BLACK POWDER COATING



**VANTAGE FENCE**  
Premier Metal Fence Wholesale Supplier  
[www.vantagefence.com](http://www.vantagefence.com)

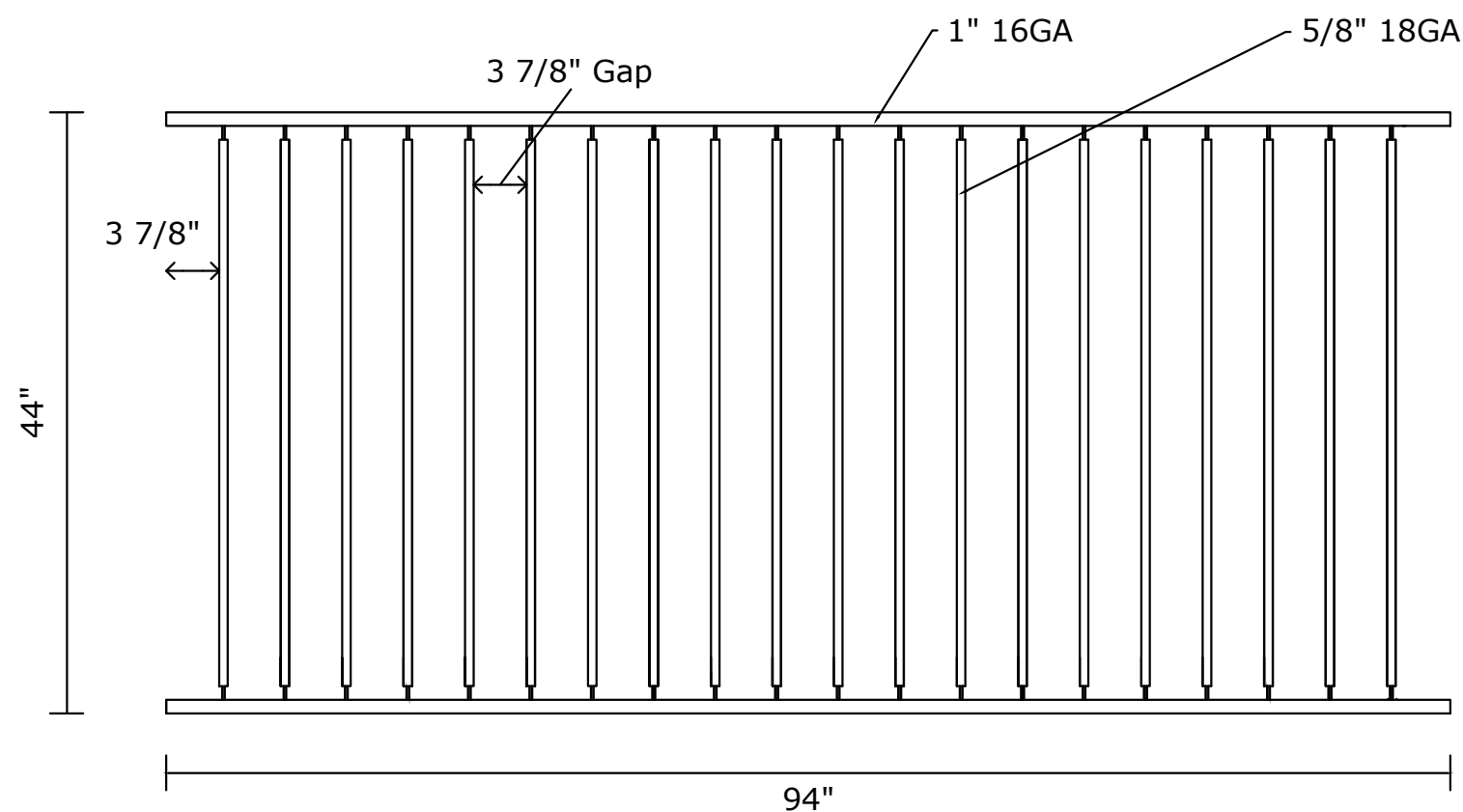
# Residential Panels



## Bentleigh Panel Specifications

Top / Bottom Rail: 1" SQ x GALV 16 GA RAIL  
Pickets: 5/8" SQ x GALV 18 GA PICKET  
Picket Space: 3 7/8"

End Spacing: 3 7/8"  
Pickets Cut and Welded  
Coating: PRE-GALVANIZED and BLACK POWDER COATING



**VANTAGE FENCE**  
Premier Metal Fence Wholesale Supplier  
[www.vantagefence.com](http://www.vantagefence.com)

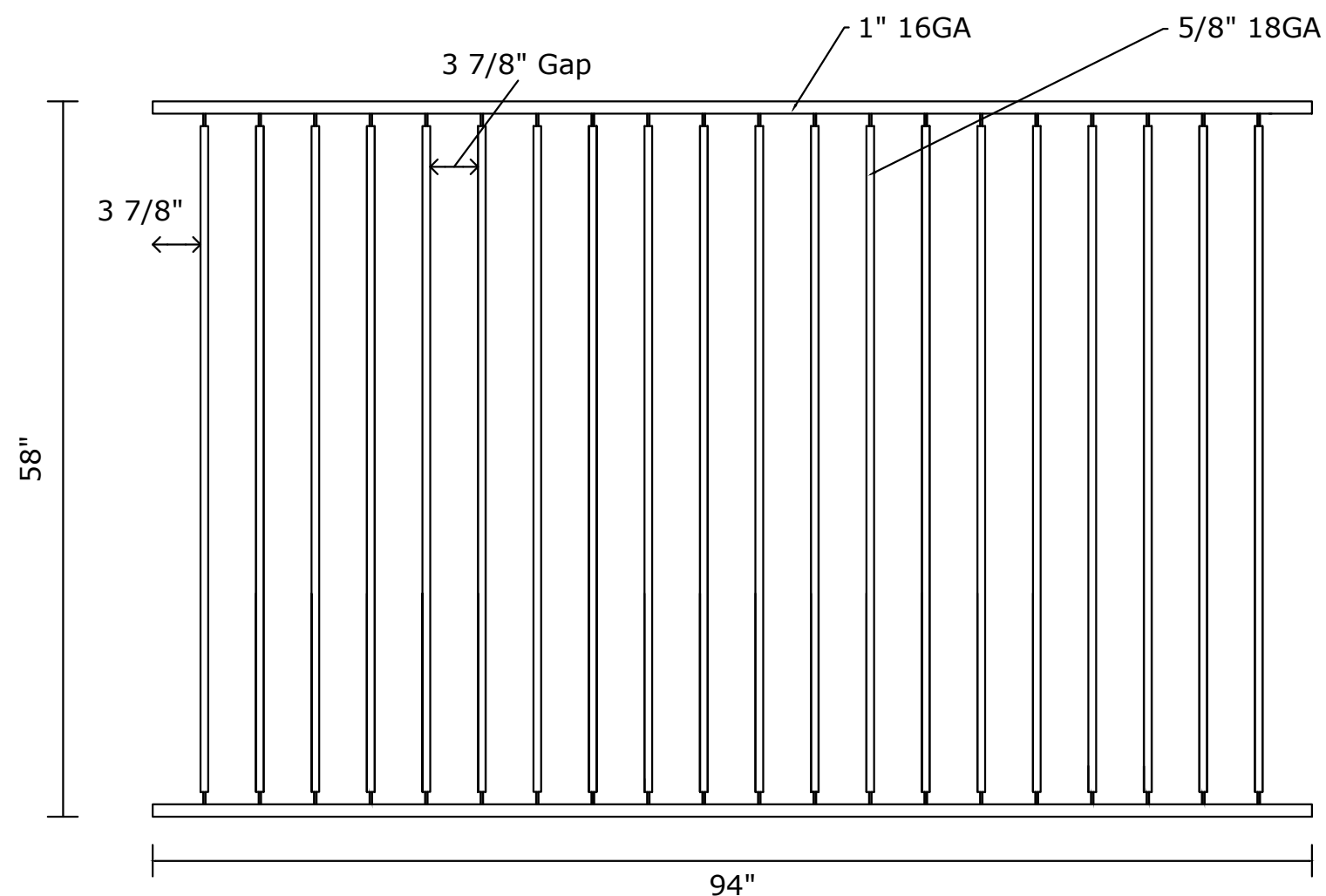
# Residential Panels



## Bentleigh Panel Specifications

Top / Bottom Rail: 1" SQ x GALV 16 GA RAIL  
Pickets: 5/8" SQ x GALV 18 GA PICKET  
Picket Space: 3 7/8"

End Spacing: 3 7/8"  
Pickets Cut and Welded  
Coating: PRE-GALVANIZED and BLACK POWDER COATING



**VANTAGE FENCE**  
Premier Metal Fence Wholesale Supplier  
[www.vantagefence.com](http://www.vantagefence.com)

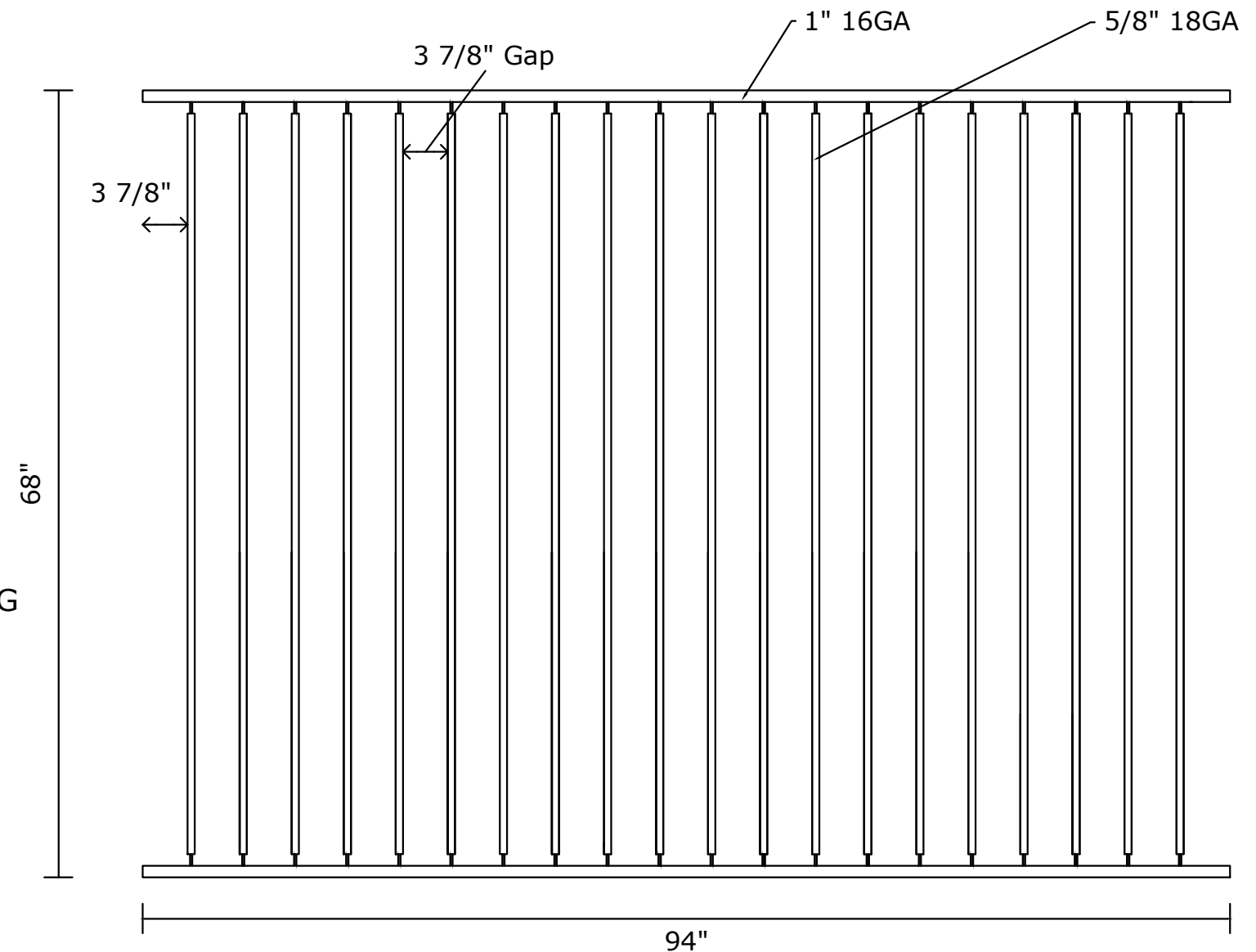
# Residential Panels



## Bentleigh Panel Specifications

Top / Bottom Rail: 1" SQ x GALV 16 GA RAIL  
Pickets: 5/8" SQ x GALV 18 GA PICKET  
Picket Space: 3 7/8"

End Spacing: 3 7/8"  
Pickets Cut and Welded  
Coating: PRE-GALVANIZED and BLACK POWDER COATING



**VANTAGE FENCE**  
Premier Metal Fence Wholesale Supplier  
[www.vantagefence.com](http://www.vantagefence.com)

# Residential Panels