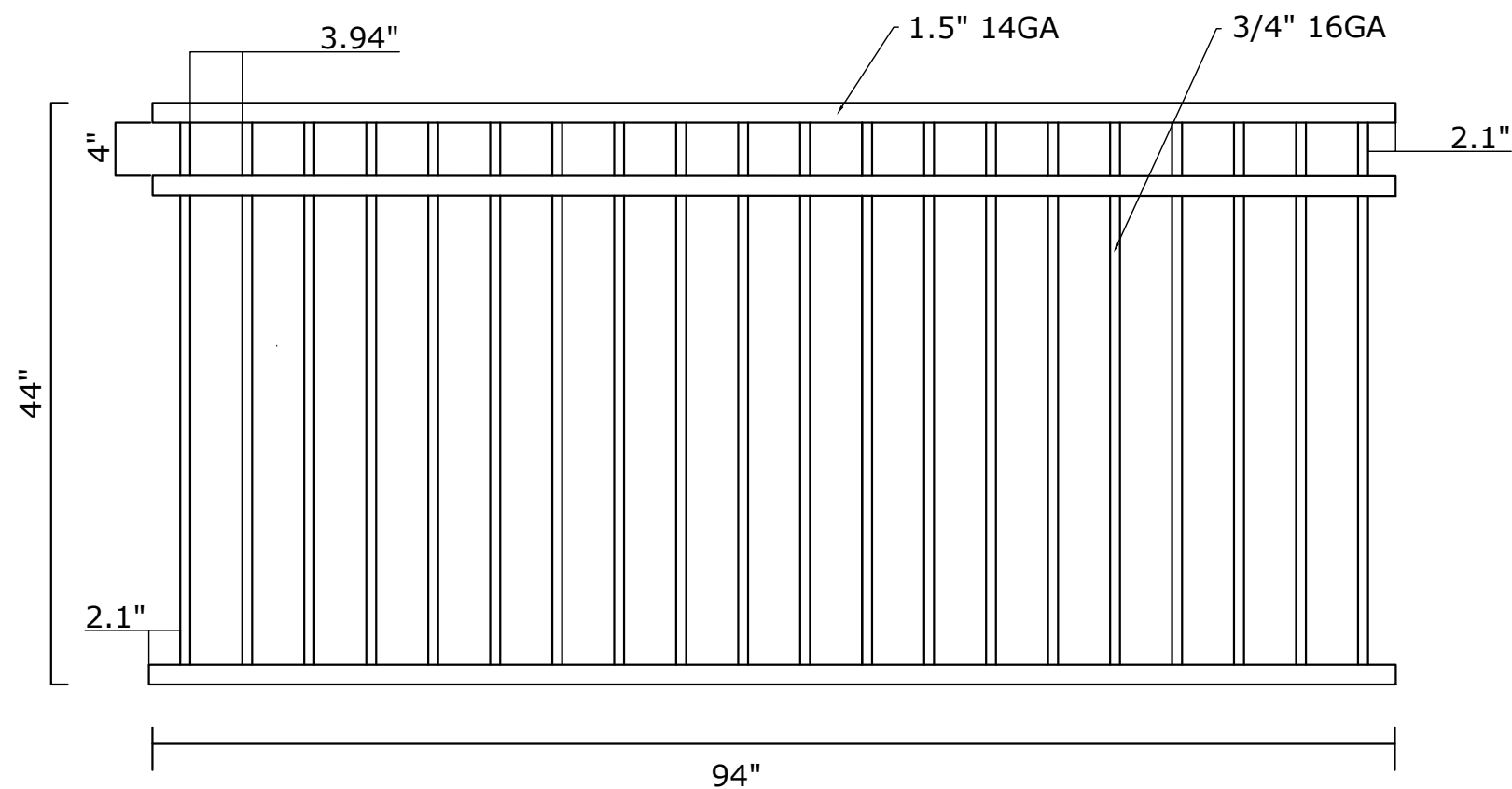




Carnegie Panel Specifications

Top / Bottom Rail: 1.5" SQ x GALV 14 GA RAIL
Pickets: 3/4" SQ x GALV 16 GA PICKET
Picket Space: 3.94"

End Spacing: 2.1"
Pickets Cut and Welded
Coating: PRE-GALVANIZED and BLACK POWDER COATING



VANTAGE FENCE
Premier Metal Fence Wholesale Supplier
www.vantagefence.com

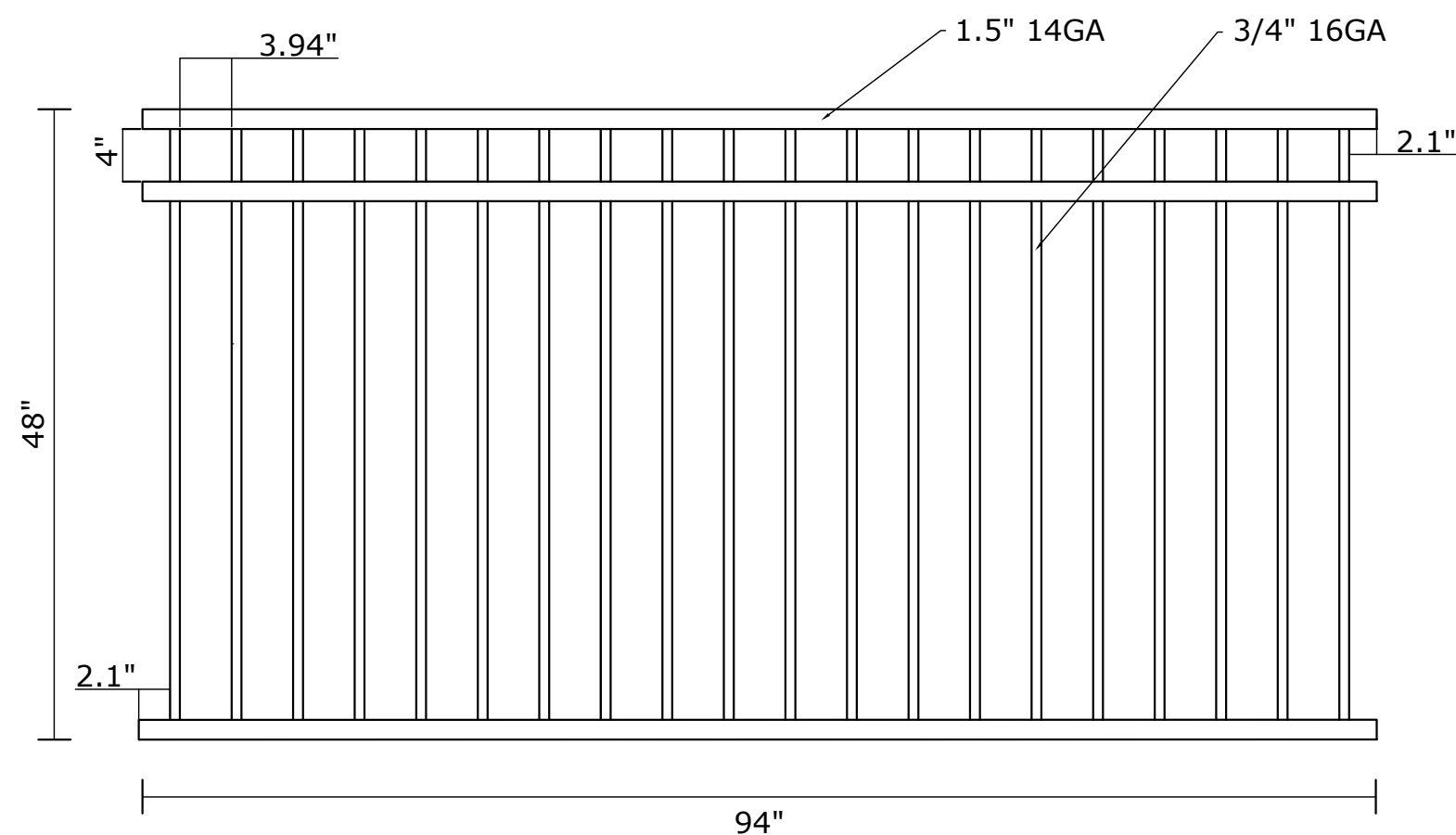
Commercial Panels



Carnegie Panel Specifications

Top / Bottom Rail: 1.5" SQ x GALV 14 GA RAIL
Pickets: 3/4" SQ x GALV 16 GA PICKET
Picket Space: 3.94"

End Spacing: 2.1"
Pickets Cut and Welded
Coating: PRE-GALVANIZED and BLACK POWDER COATING



VANTAGE FENCE
Premier Metal Fence Wholesale Supplier
www.vantagefence.com

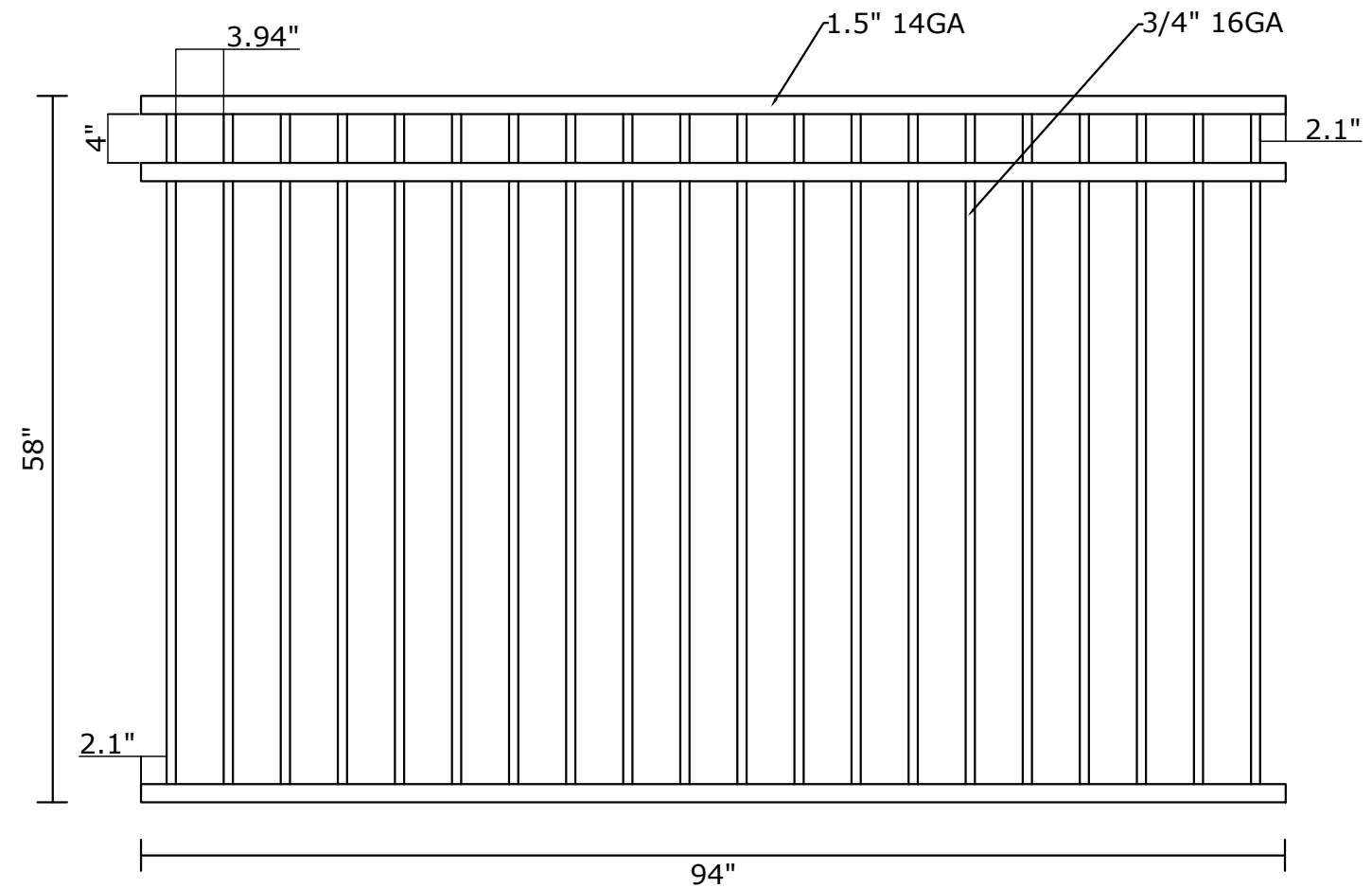
Commercial Panels



Carnegie Panel Specifications

Top / Bottom Rail: 1.5" SQ x GALV 14 GA RAIL
Pickets: 3/4" SQ x GALV 16 GA PICKET
Picket Space: 3.94"

End Spacing: 2.1"
Pickets Cut and Welded
Coating: PRE-GALVANIZED and BLACK POWDER COATING



VANTAGE FENCE
Premier Metal Fence Wholesale Supplier
www.vantagefence.com

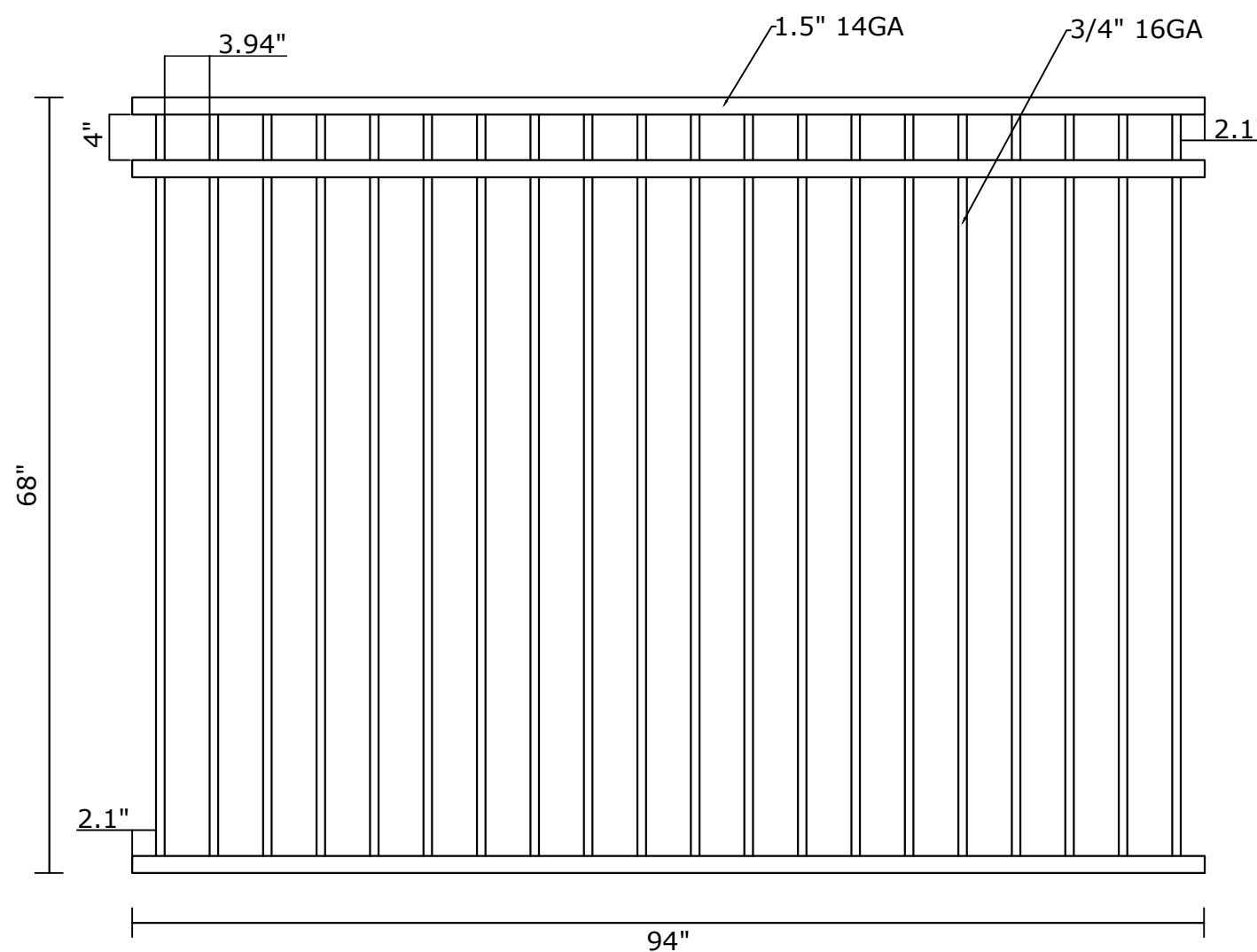
Commercial Panels



Carnegie Panel Specifications

Top / Bottom Rail: 1.5" SQ x GALV 14 GA RAIL
Pickets: 3/4" SQ x GALV 16 GA PICKET
Picket Space: 3.94"

End Spacing: 2.1"
Pickets Cut and Welded
Coating: PRE-GALVANIZED and BLACK POWDER COATING



VANTAGE FENCE
Premier Metal Fence Wholesale Supplier
www.vantagefence.com

Commercial Panels