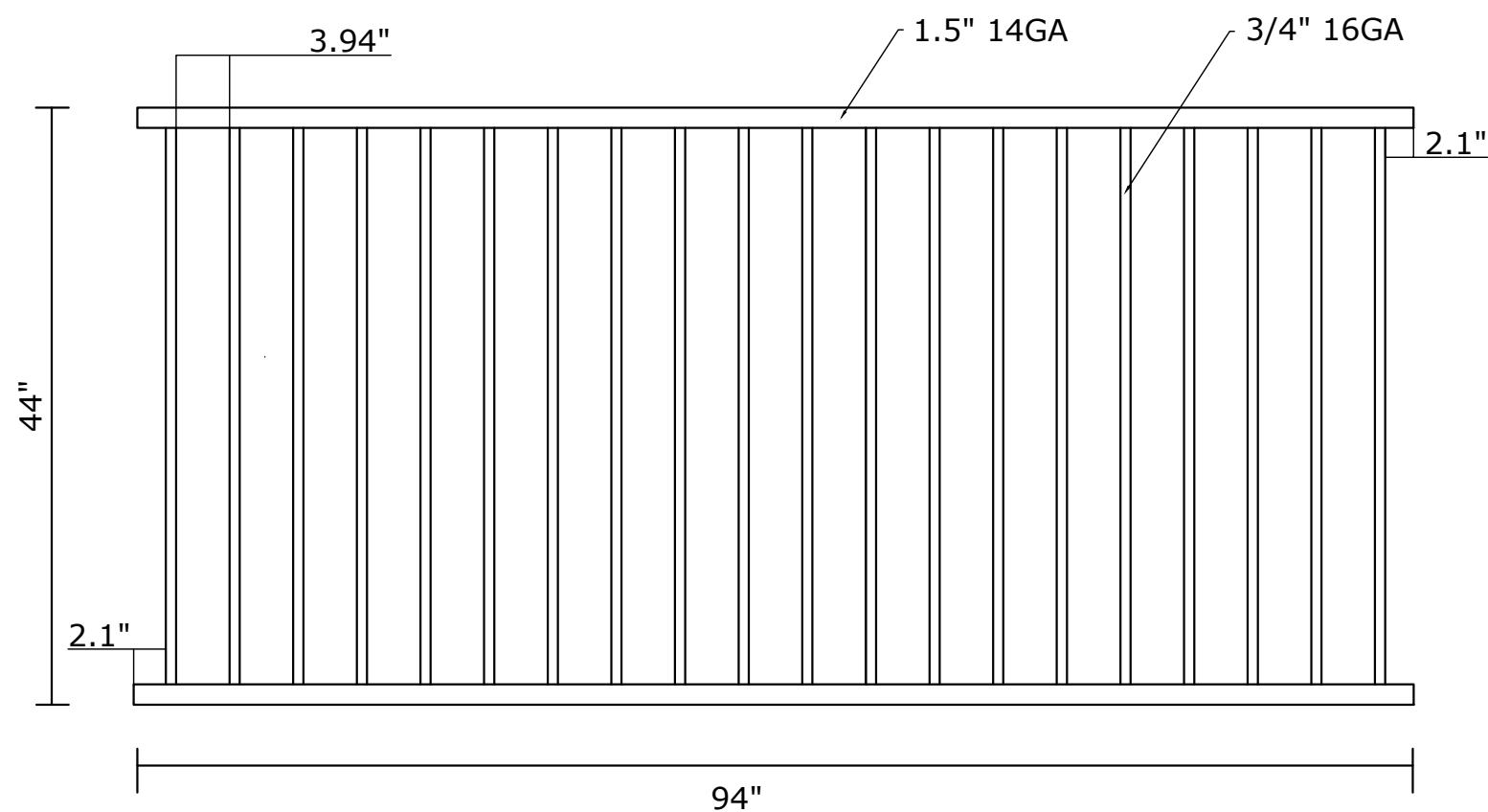




## Carnegie Panel Specifications

Top / Bottom Rail: 1.5" SQ x GALV 14 GA RAIL  
Pickets: 3/4" SQ x GALV 16 GA PICKET  
Picket Space: 3.94"

End Spacing: 2.1"  
Pickets Cut and Welded  
Coating: PRE-GALVANIZED and BLACK POWDER COATING



**VANTAGE FENCE**  
Premier Metal Fence Wholesale Supplier  
[www.vantagefence.com](http://www.vantagefence.com)

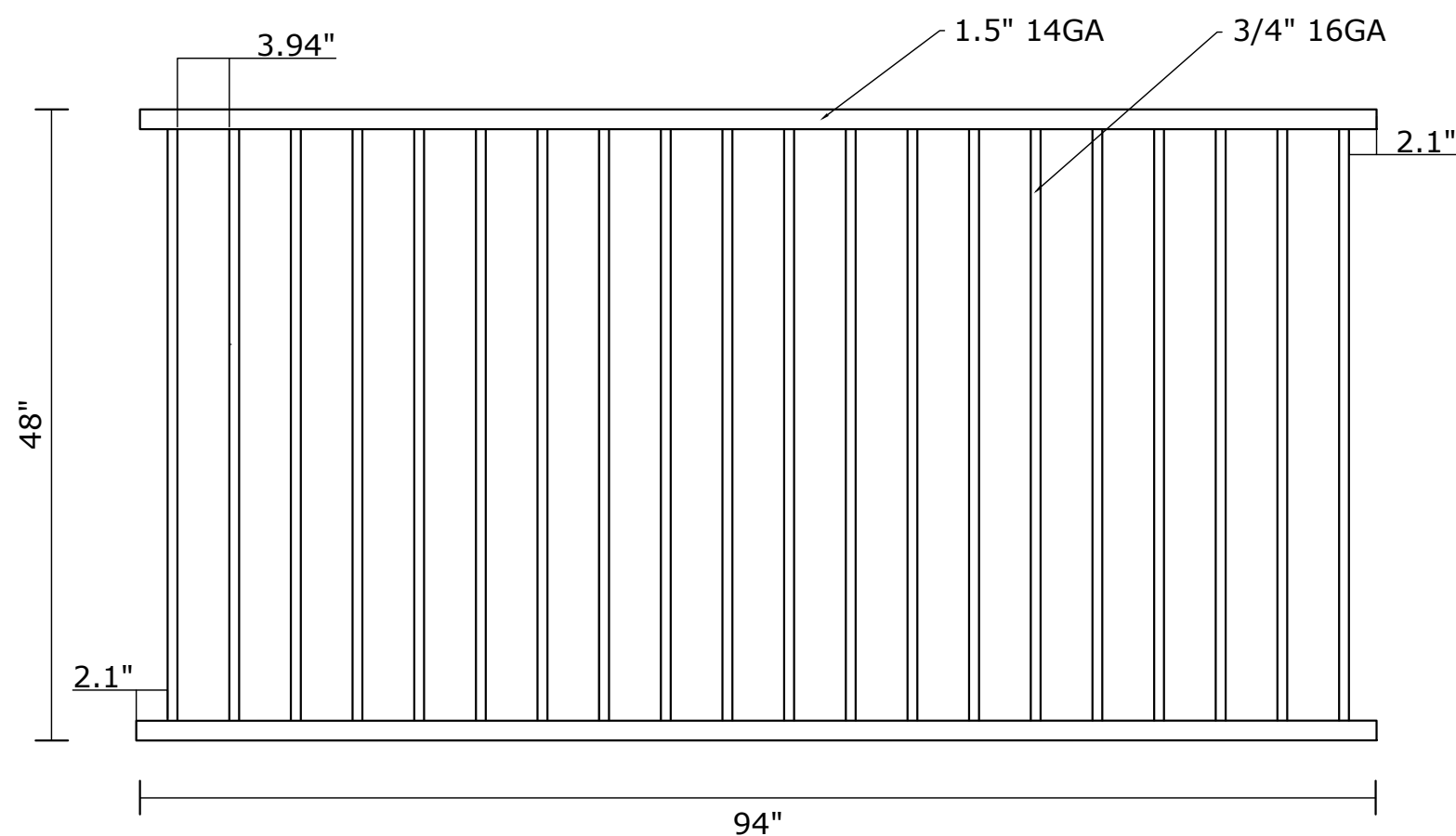
# Commercial Panels



## Carnegie Panel Specifications

Top / Bottom Rail: 1.5" SQ x GALV 14 GA RAIL  
Pickets: 3/4" SQ x GALV 16 GA PICKET  
Picket Space: 3.94"

End Spacing: 2.1"  
Pickets Cut and Welded  
Coating: PRE-GALVANIZED and BLACK POWDER COATING



**VANTAGE FENCE**  
Premier Metal Fence Wholesale Supplier  
[www.vantagefence.com](http://www.vantagefence.com)

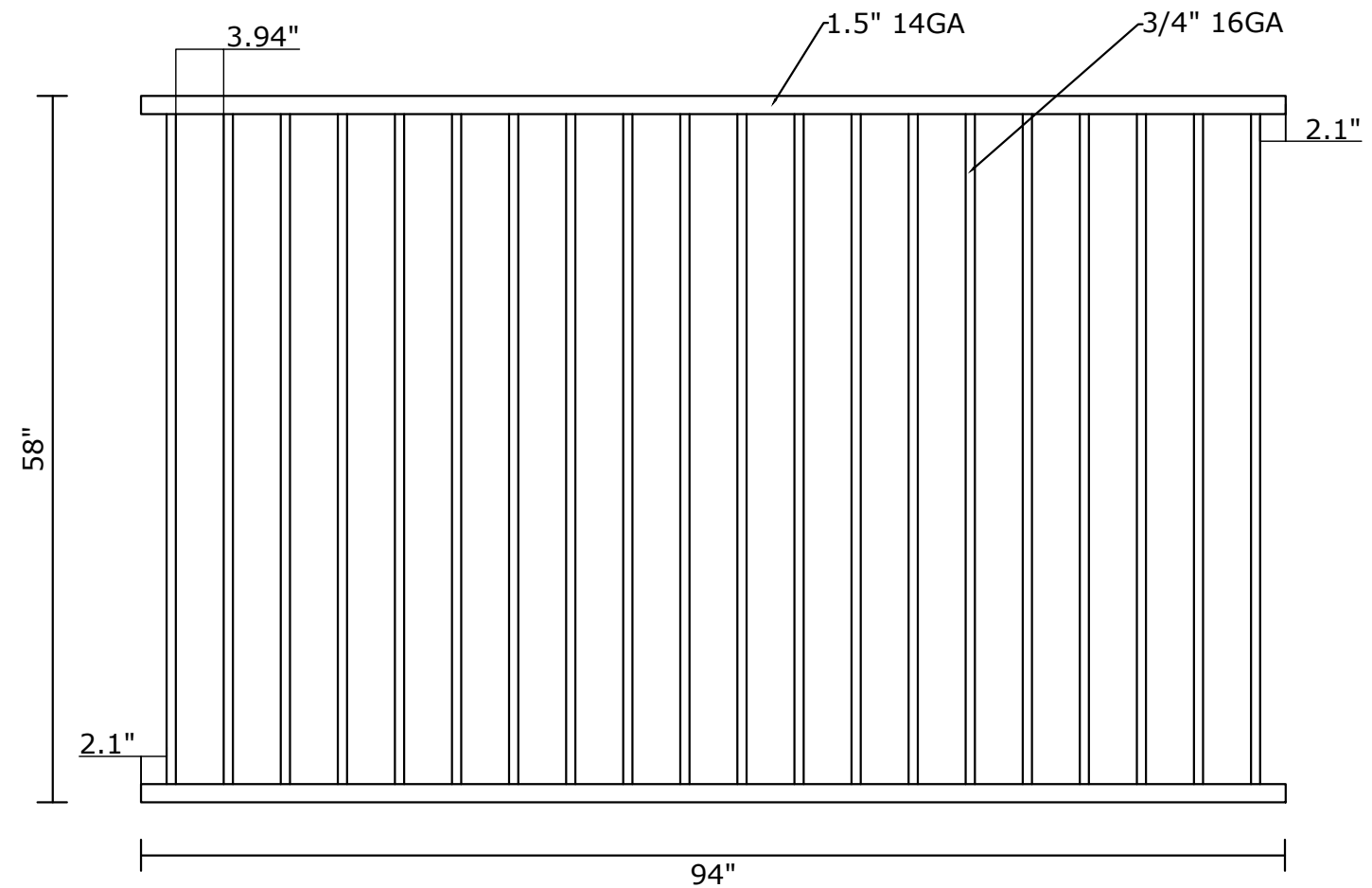
# Commercial Panels



## Carnegie Panel Specifications

Top / Bottom Rail: 1.5" SQ x GALV 14 GA RAIL  
Pickets: 3/4" SQ x GALV 16 GA PICKET  
Picket Space: 3.94"

End Spacing: 2.1"  
Pickets Cut and Welded  
Coating: PRE-GALVANIZED and BLACK POWDER COATING



**VANTAGE FENCE**  
Premier Metal Fence Wholesale Supplier  
[www.vantagefence.com](http://www.vantagefence.com)

# Commercial Panels



## Carnegie Panel Specifications

Top / Bottom Rail: 1.5" SQ x GALV 14 GA RAIL

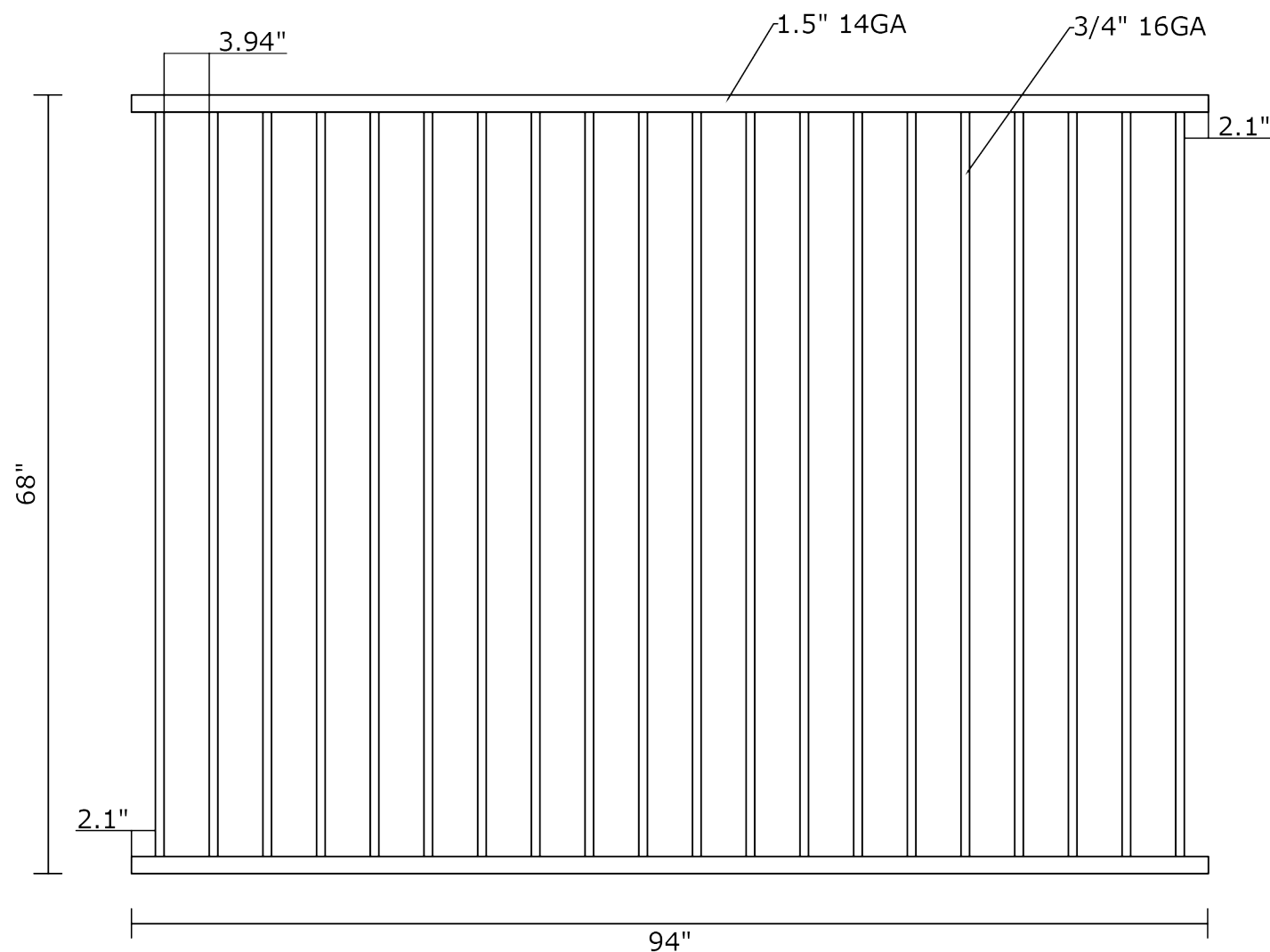
Pickets: 3/4" SQ x GALV 16 GA PICKET

Picket Space: 3.94"

End Spacing: 2.1"

Pickets Cut and Welded

Coating: PRE-GALVANIZED and BLACK POWDER COATING

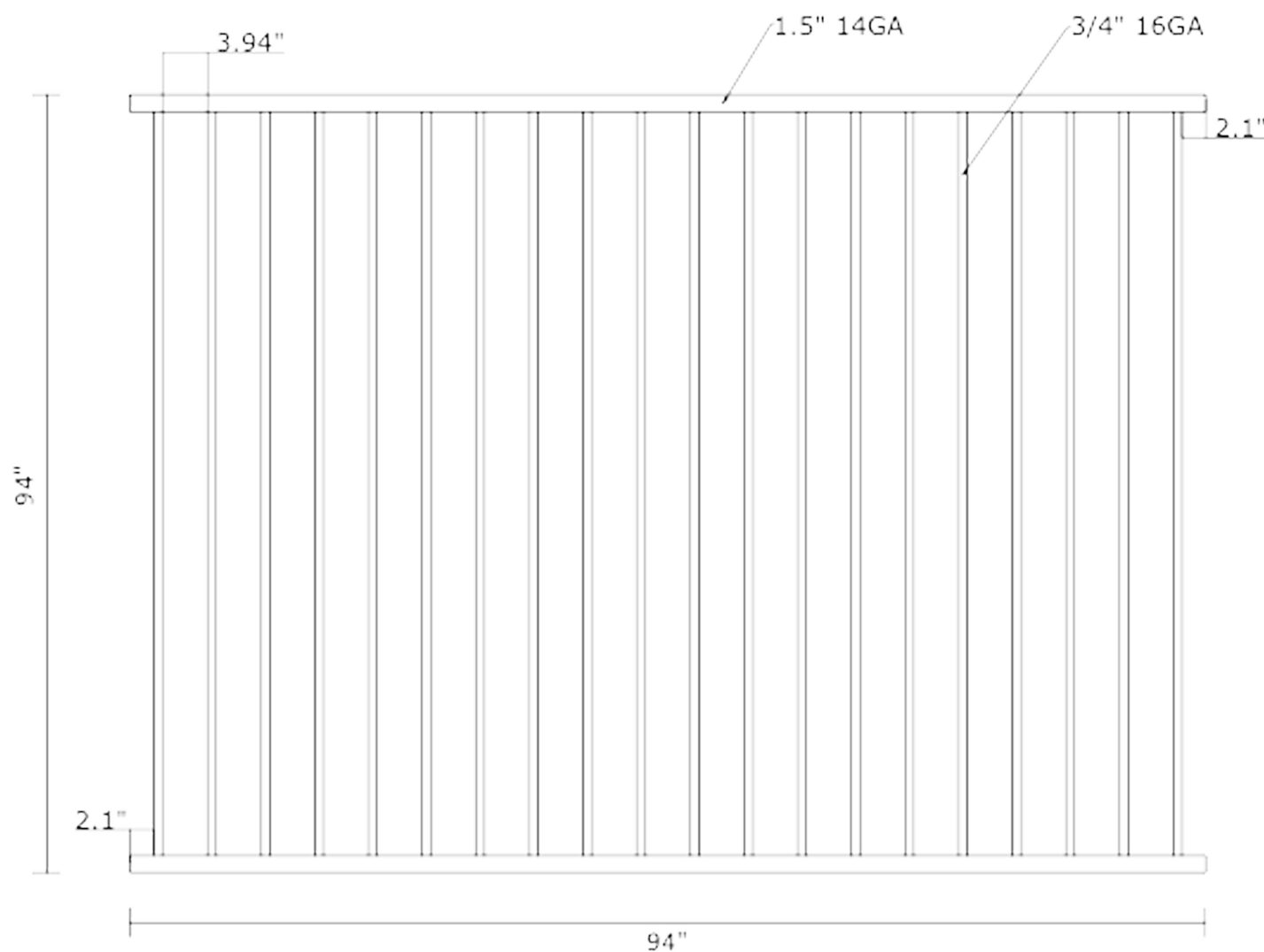




## Carnegie Panel Specifications

Top / Bottom Rail: 1.5" SQ x GALV 14 GA RAIL  
Pickets: 3/4" SQ x GALV 16 GA PICKET  
Picket Space: 3.94"

End Spacing: 2.1"  
Pickets Cut and Welded  
Coating: PRE-GALVANIZED and BLACK POWDER COATING

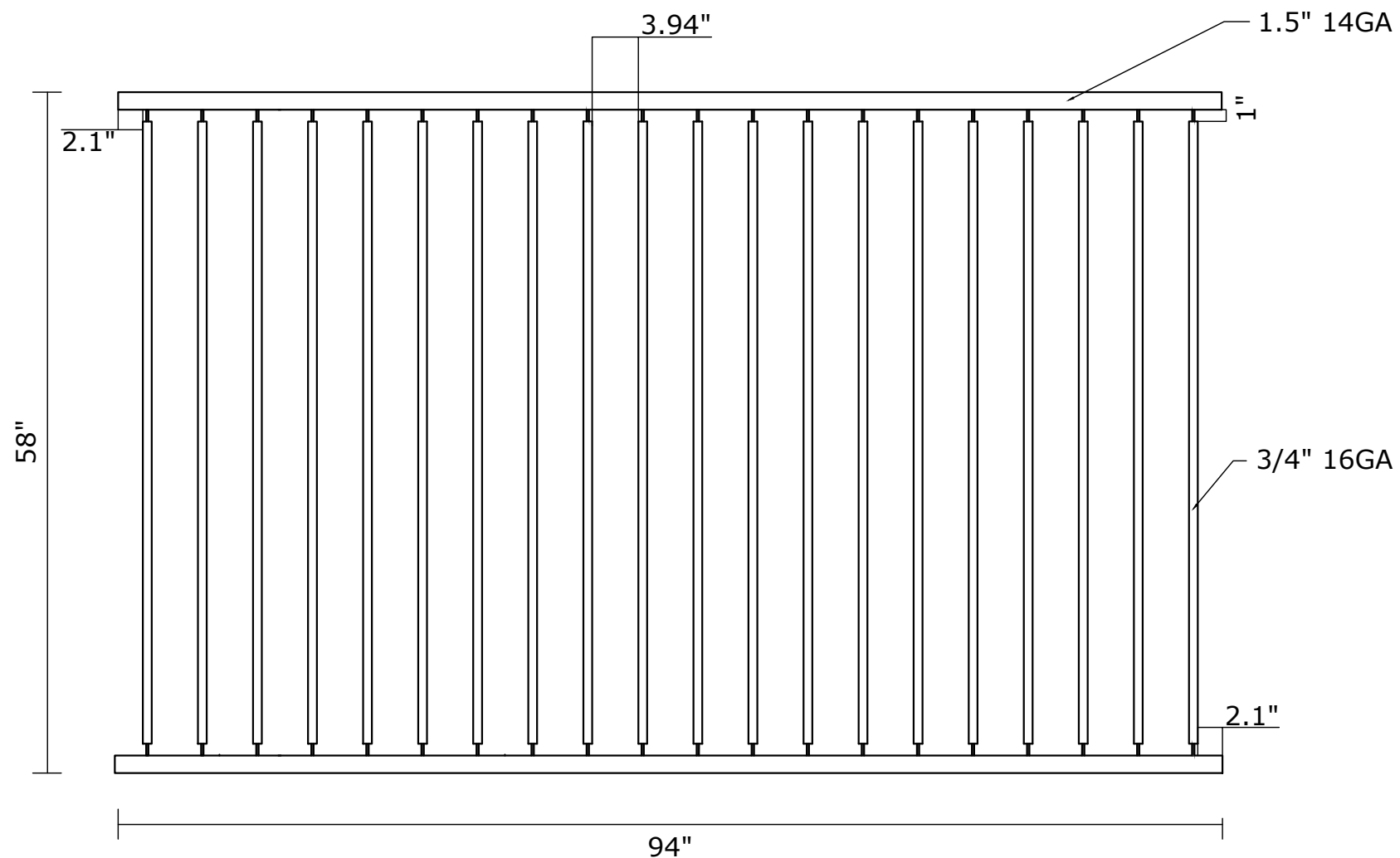




## Richmond Panel Specifications

Top / Bottom Rail: 1.5" SQ x GALV 14 GA RAIL  
Pickets: 3/4" SQ x GALV 16 GA PICKET  
Picket Space: 3.94"

End Spacing: 2.1"  
Pickets Cut and Welded  
Coating: PRE-GALVANIZED and BLACK POWDER COATING



**VANTAGE FENCE**  
Premier Metal Fence Wholesale Supplier  
[www.vantagefence.com](http://www.vantagefence.com)

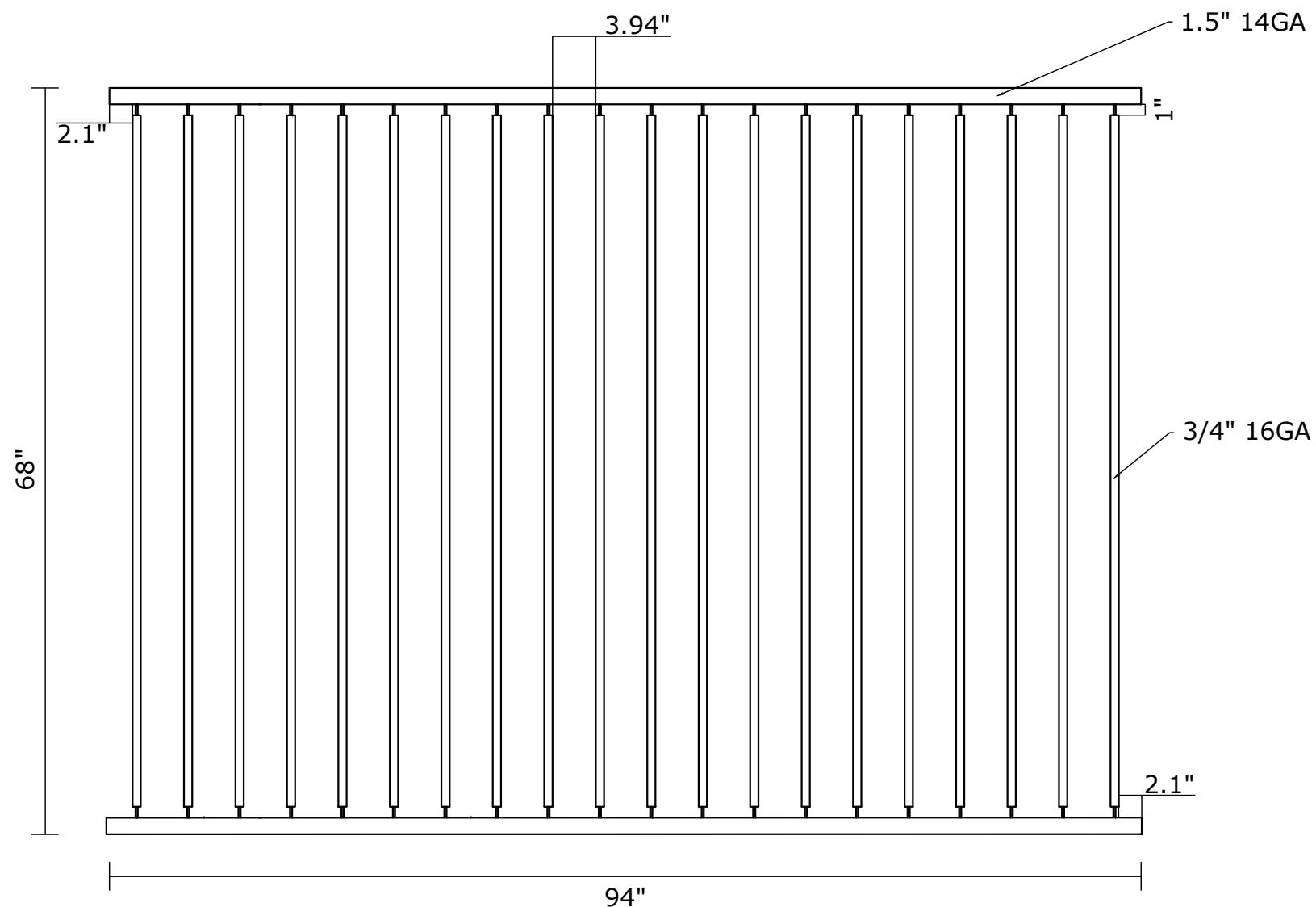
# Commercial Panels



## Richmond Panel Specifications

Top / Bottom Rail: 1.5" SQ x GALV 14 GA RAIL  
Pickets: 3/4" SQ x GALV 16 GA PICKET  
Picket Space: 3.94"

End Spacing: 2.1"  
Pickets Cut and Welded  
Coating: PRE-GALVANIZED and BLACK POWDER COATING



**VANTAGE FENCE**  
Premier Metal Fence Wholesale Supplier  
[www.vantagefence.com](http://www.vantagefence.com)

# Commercial Panels



## Sorrento Panel Specifications

Top / Bottom Rail: 1.5" SQ x GALV 14 GA RAIL

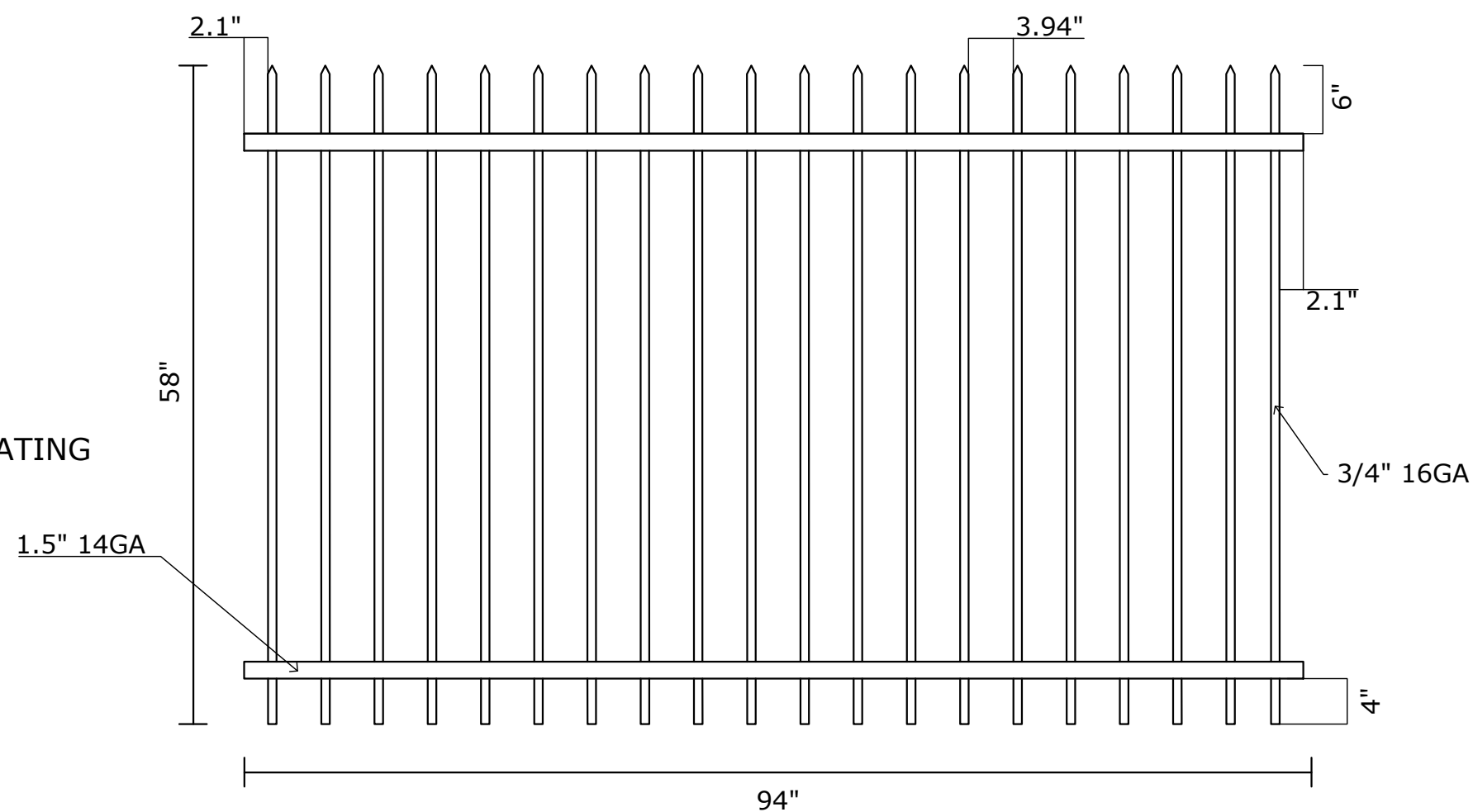
Pickets: 3/4" SQ x GALV 16 GA PICKET

Picket Space: 3.94"

End Spacing: 2.1"

Pickets Cut and Welded

Coating: PRE-GALVANIZED and BLACK POWDER COATING



**VANTAGE FENCE**  
Premier Metal Fence Wholesale Supplier  
[www.vantagefence.com](http://www.vantagefence.com)

# Commercial Panels

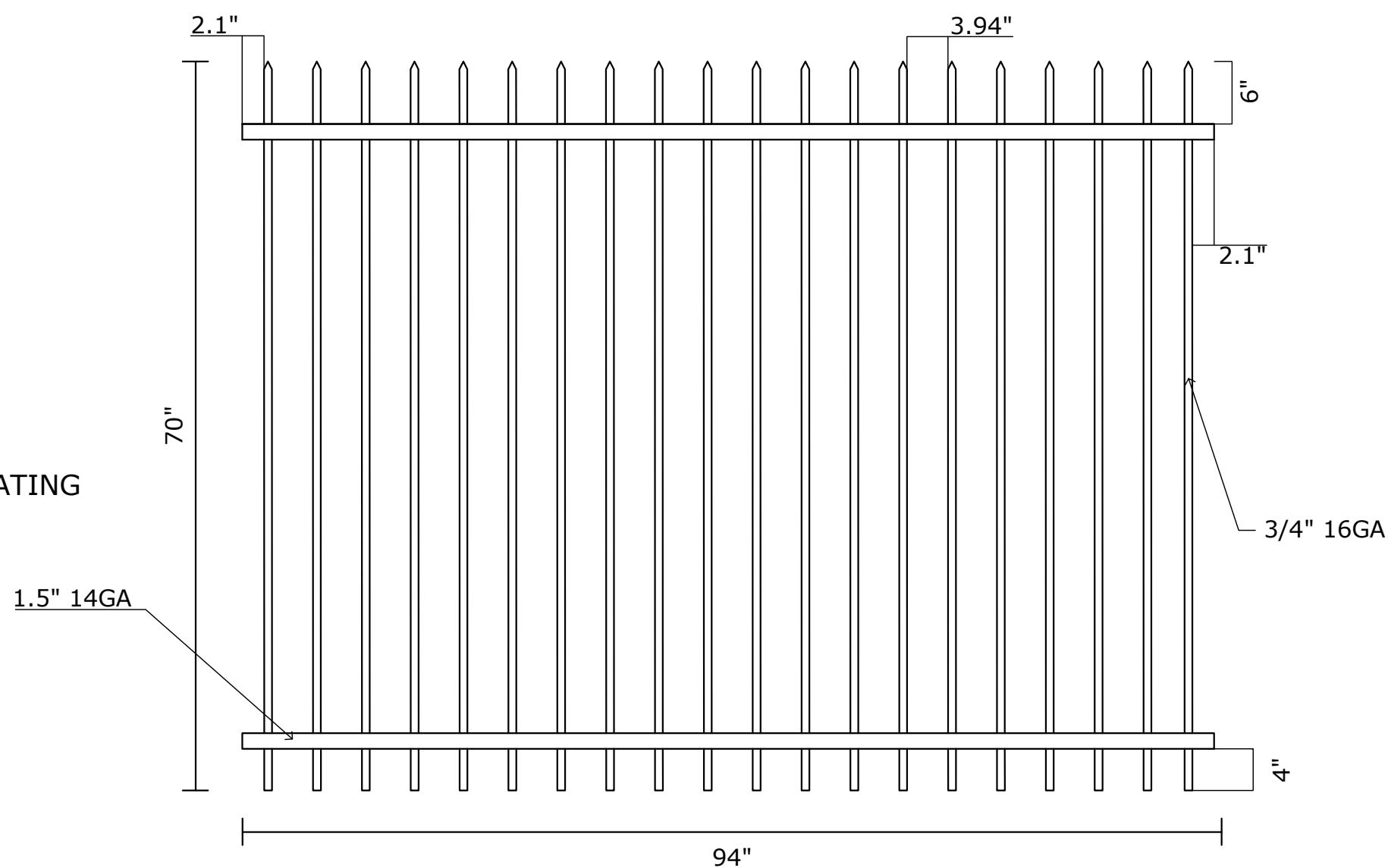




## Sorrento Panel Specifications

Top / Bottom Rail: 1.5" SQ x GALV 14 GA RAIL  
Pickets: 3/4" SQ x GALV 16 GA PICKET  
Picket Space: 3.94"

End Spacing: 2.1"  
Pickets Cut and Welded  
Coating: PRE-GALVANIZED and BLACK POWDER COATING



**VANTAGE FENCE**  
Premier Metal Fence Wholesale Supplier  
[www.vantagefence.com](http://www.vantagefence.com)

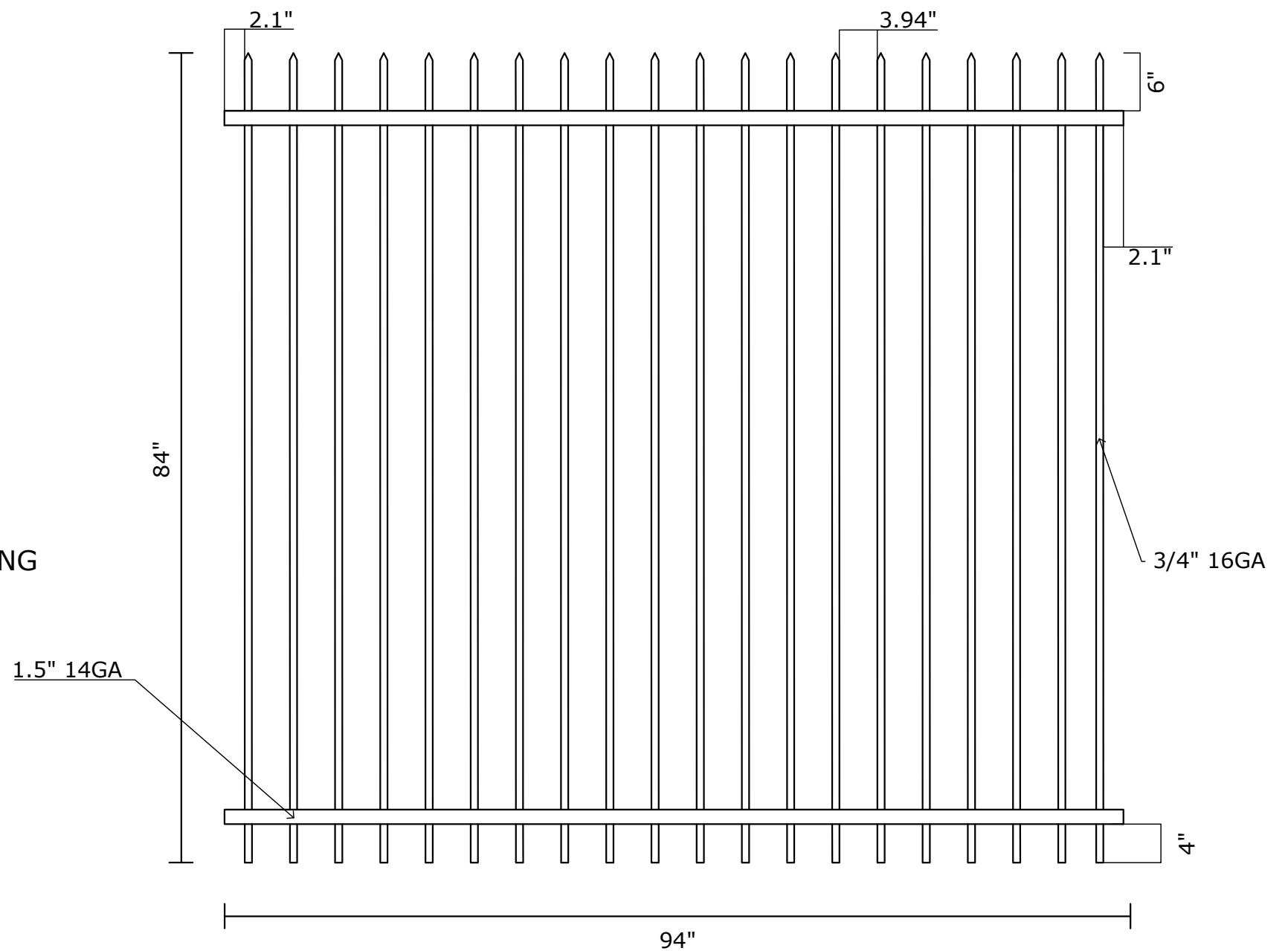
# Commercial Panels



## Sorrento Panel Specifications

Top / Bottom Rail: 1.5" SQ x GALV 14 GA RAIL  
Pickets: 3/4" SQ x GALV 16 GA PICKET  
Picket Space: 3.94"

End Spacing: 2.10"  
Pickets Cut and Welded  
Coating: PRE-GALVANIZED and BLACK POWDER COATING



**VANTAGE FENCE**  
Premier Metal Fence Wholesale Supplier  
[www.vantagefence.com](http://www.vantagefence.com)

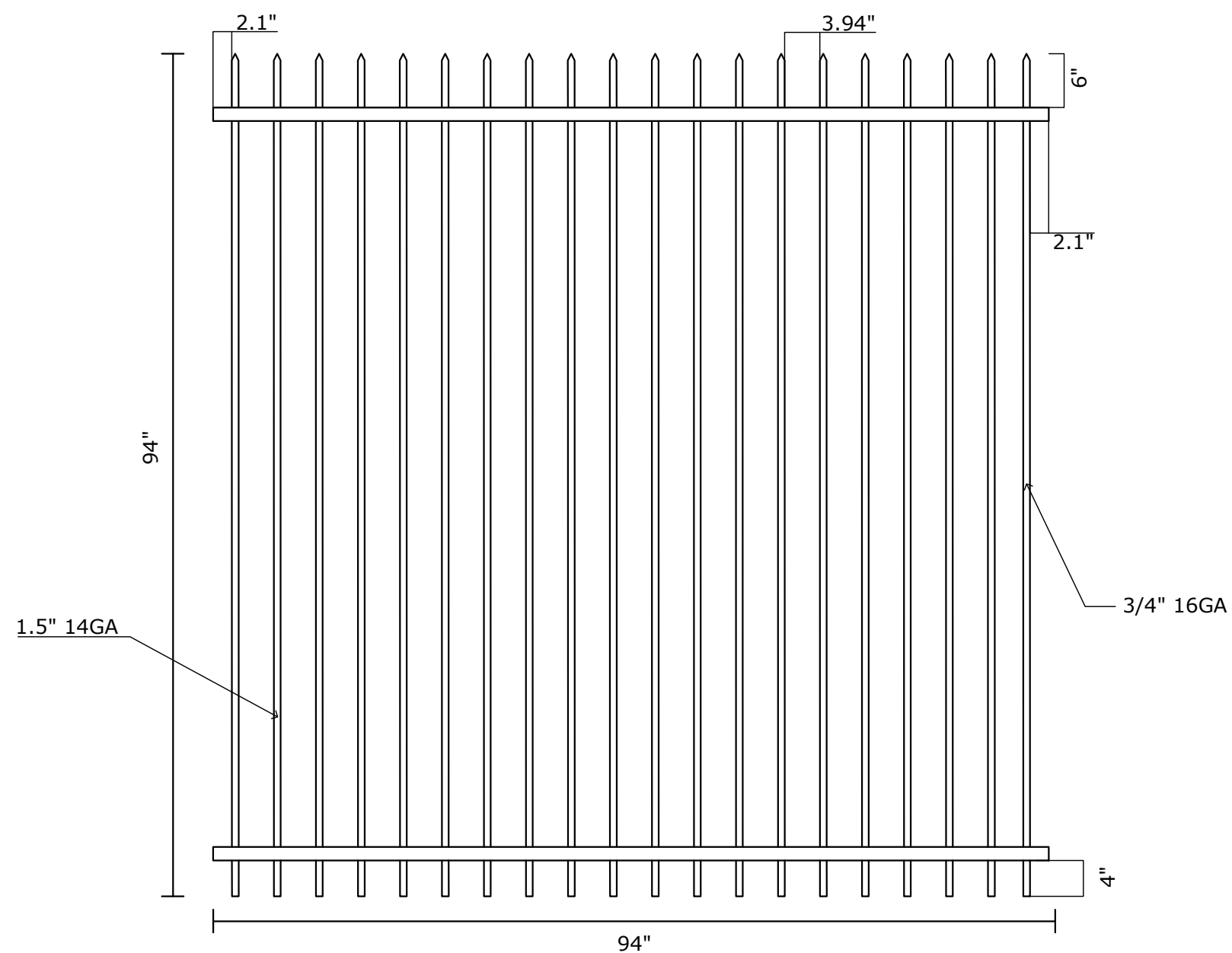
# Commercial Panels



## Sorrento Panel Specifications

Top / Bottom Rail: 1.5" SQ x GALV 14 GA RAIL  
Pickets: 3/4" SQ x GALV 16 GA PICKET  
Picket Space: 3.94"

End Spacing: 2.10"  
Pickets Cut and Welded  
Coating: PRE-GALVANIZED and BLACK POWDER COATING



**VANTAGE FENCE**  
Premier Metal Fence Wholesale Supplier  
[www.vantagefence.com](http://www.vantagefence.com)

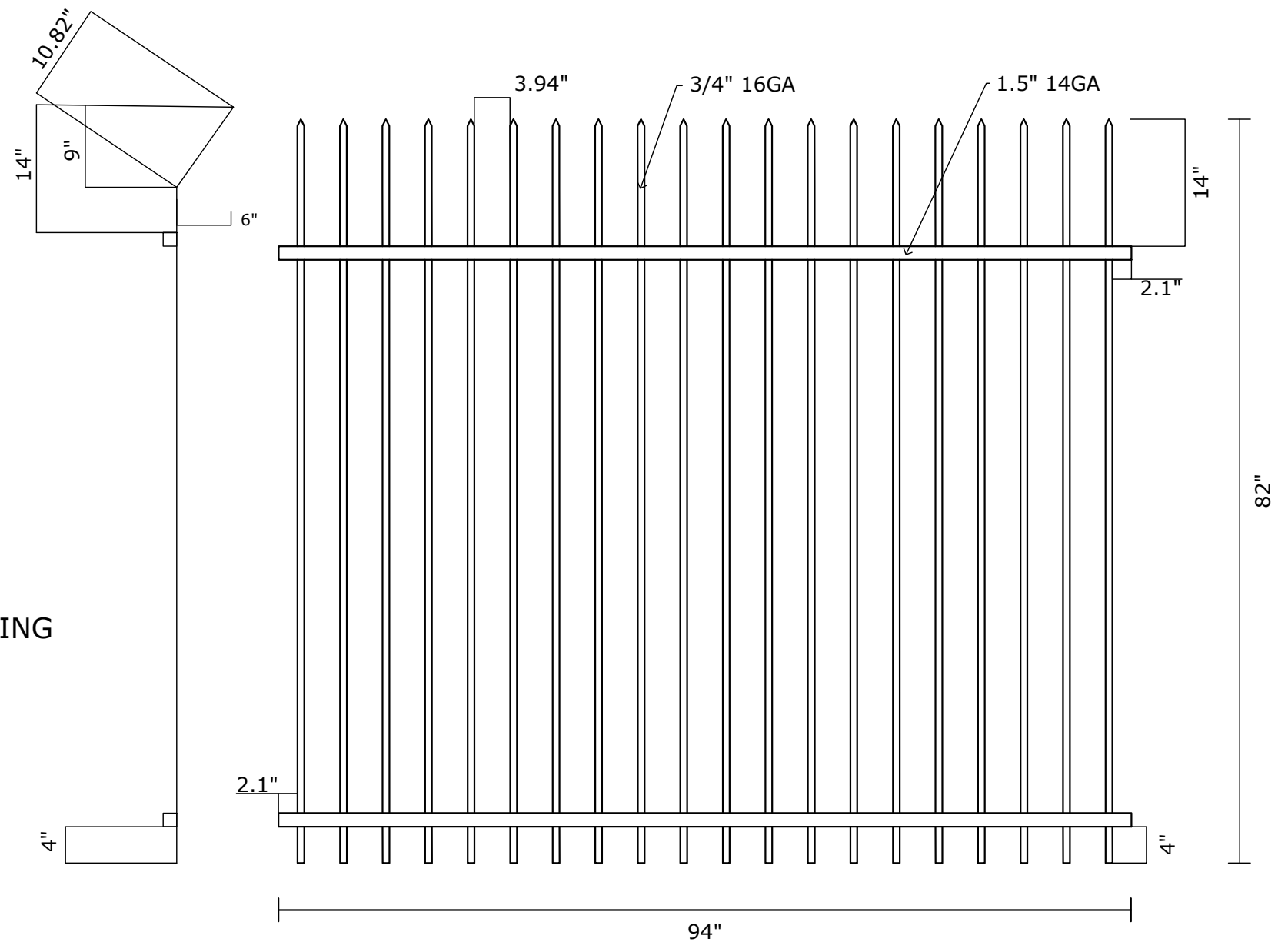
# Commercial Panels



## Brunswick Panel Specifications

Top / Bottom Rail: 1.5" SQ x GALV 14 GA RAIL  
Pickets: 3/4" SQ x GALV 16 GA PICKET  
Picket Space: 3.94"

End Spacing: 2.1"  
Pickets Cut and Welded  
Coating: PRE-GALVANIZED and BLACK POWDER COATING



**VANTAGE FENCE**  
Premier Metal Fence Wholesale Supplier  
[www.vantagefence.com](http://www.vantagefence.com)

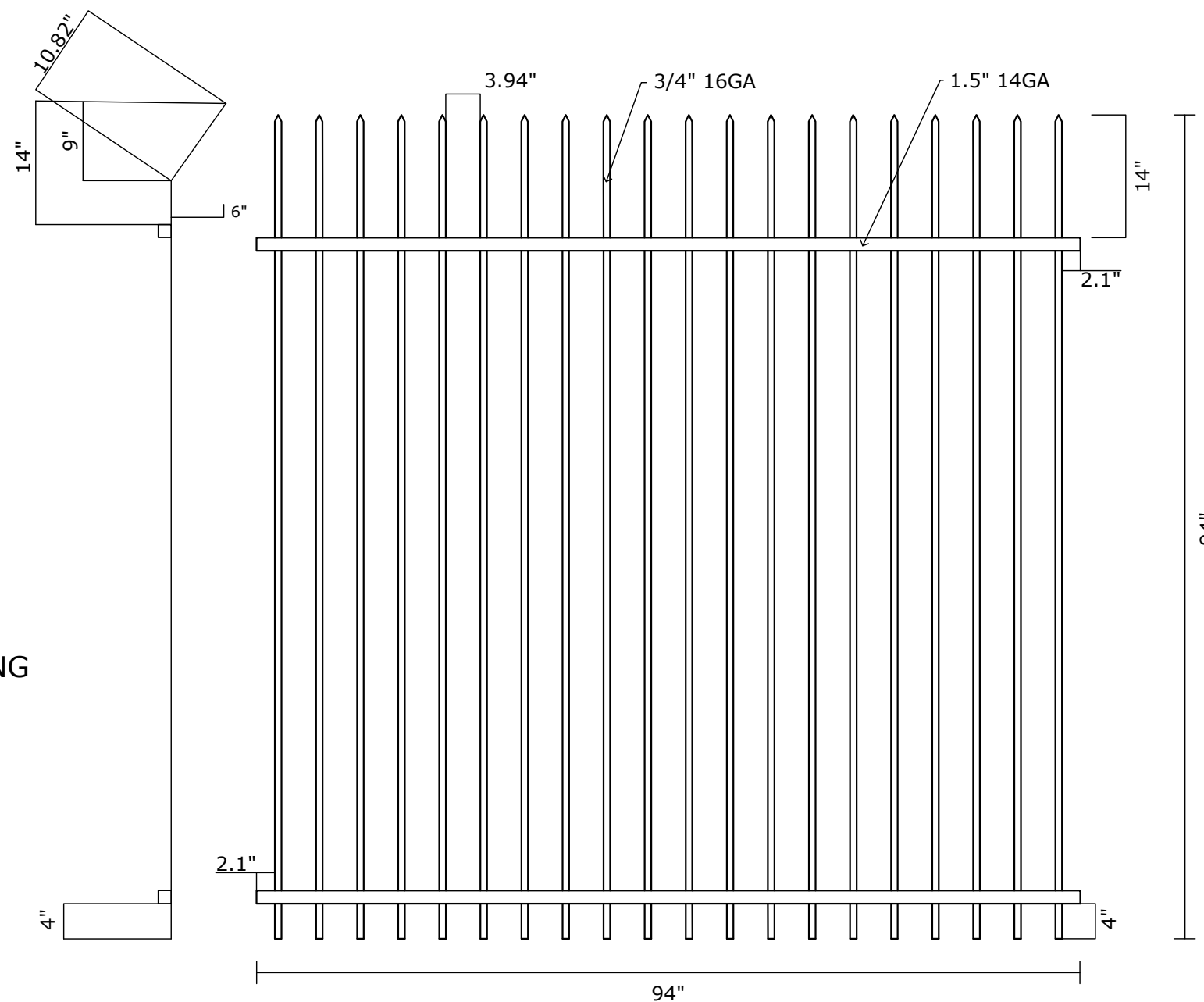
# Commercial Panels



## Brunswick Panel Specifications

Top / Bottom Rail: 1.5" SQ x GALV 14 GA RAIL  
Pickets: 3/4" SQ x GALV 16 GA PICKET  
Picket Space: 3.94"

End Spacing: 2.1"  
Pickets Cut and Welded  
Coating: PRE-GALVANIZED and BLACK POWDER COATING



**VANTAGE FENCE**  
Premier Metal Fence Wholesale Supplier  
[www.vantagefence.com](http://www.vantagefence.com)

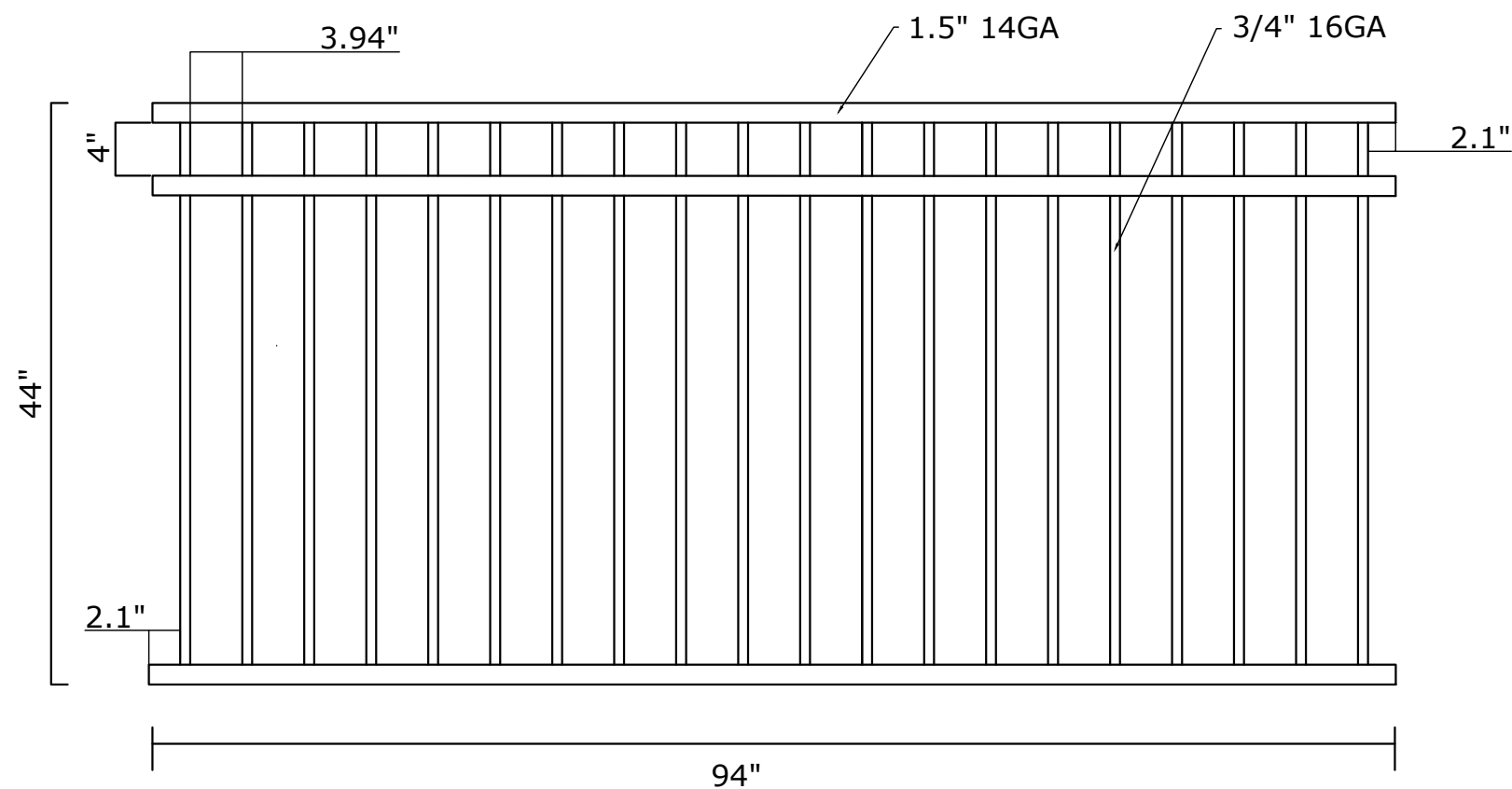
# Commercial Panels



## Carnegie Panel Specifications

Top / Bottom Rail: 1.5" SQ x GALV 14 GA RAIL  
Pickets: 3/4" SQ x GALV 16 GA PICKET  
Picket Space: 3.94"

End Spacing: 2.1"  
Pickets Cut and Welded  
Coating: PRE-GALVANIZED and BLACK POWDER COATING



**VANTAGE FENCE**  
Premier Metal Fence Wholesale Supplier  
[www.vantagefence.com](http://www.vantagefence.com)

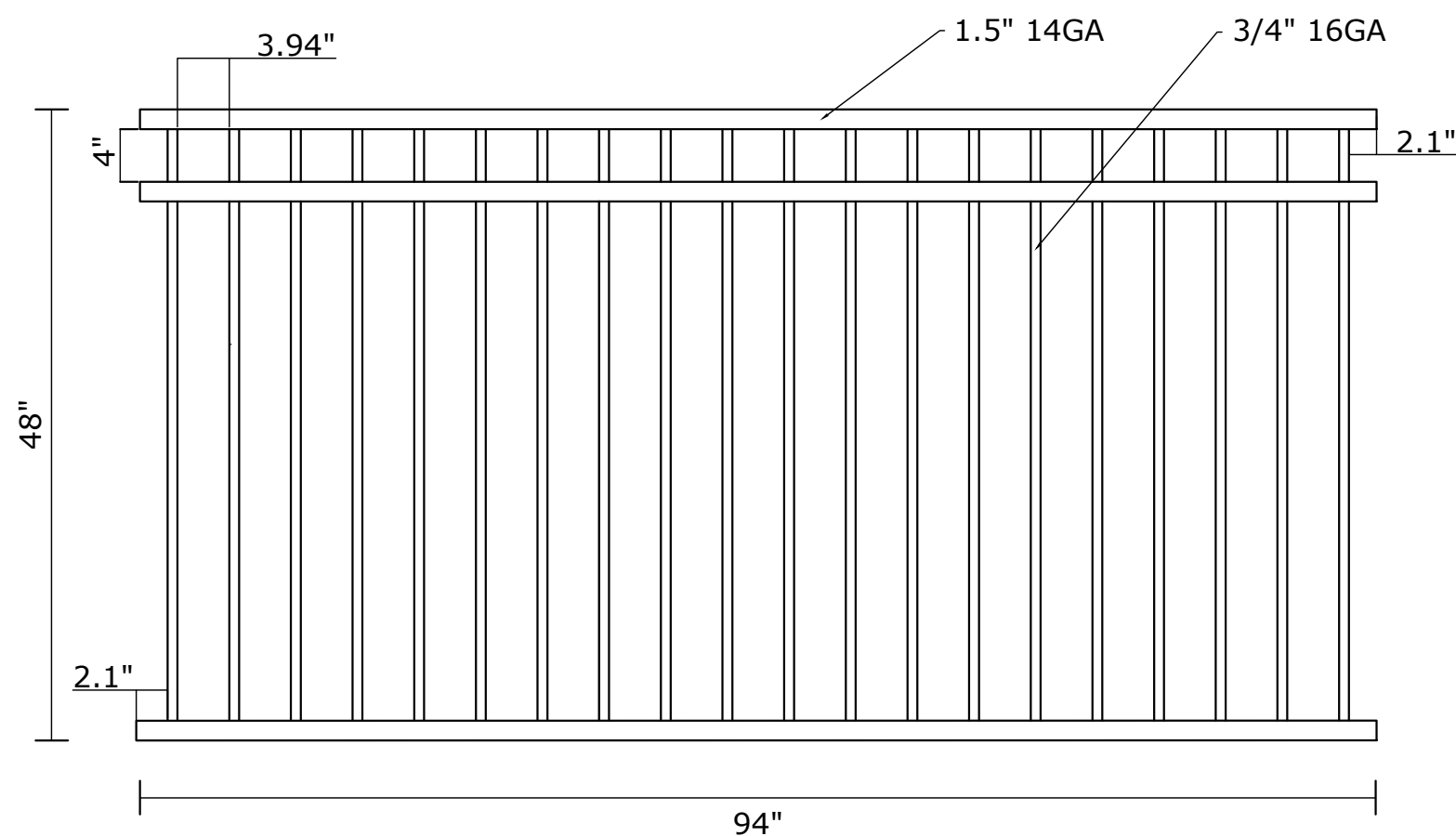
# Commercial Panels



## Carnegie Panel Specifications

Top / Bottom Rail: 1.5" SQ x GALV 14 GA RAIL  
Pickets: 3/4" SQ x GALV 16 GA PICKET  
Picket Space: 3.94"

End Spacing: 2.1"  
Pickets Cut and Welded  
Coating: PRE-GALVANIZED and BLACK POWDER COATING



**VANTAGE FENCE**  
Premier Metal Fence Wholesale Supplier  
[www.vantagefence.com](http://www.vantagefence.com)

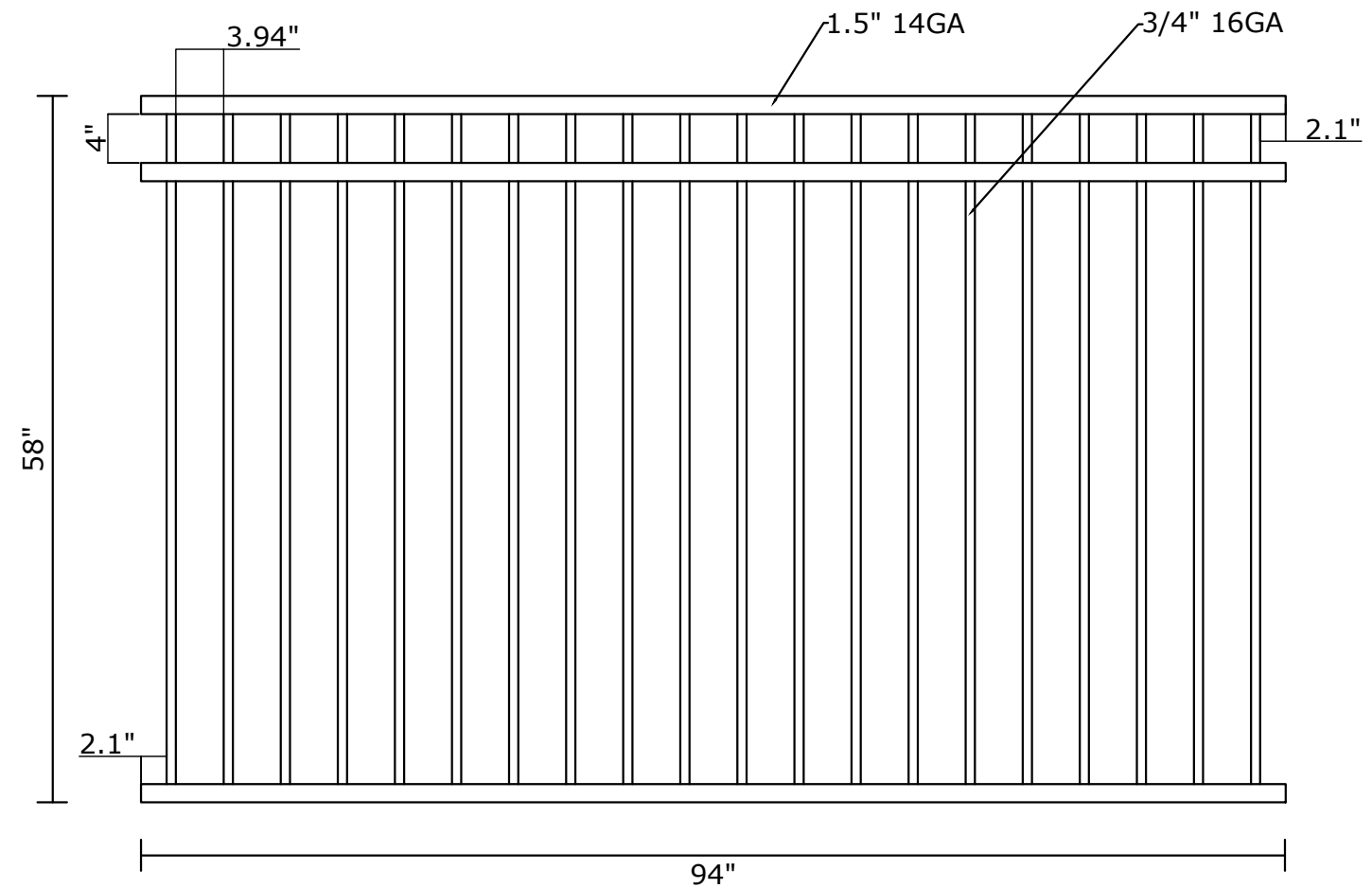
# Commercial Panels



## Carnegie Panel Specifications

Top / Bottom Rail: 1.5" SQ x GALV 14 GA RAIL  
Pickets: 3/4" SQ x GALV 16 GA PICKET  
Picket Space: 3.94"

End Spacing: 2.1"  
Pickets Cut and Welded  
Coating: PRE-GALVANIZED and BLACK POWDER COATING



**VANTAGE FENCE**  
Premier Metal Fence Wholesale Supplier  
[www.vantagefence.com](http://www.vantagefence.com)

# Commercial Panels

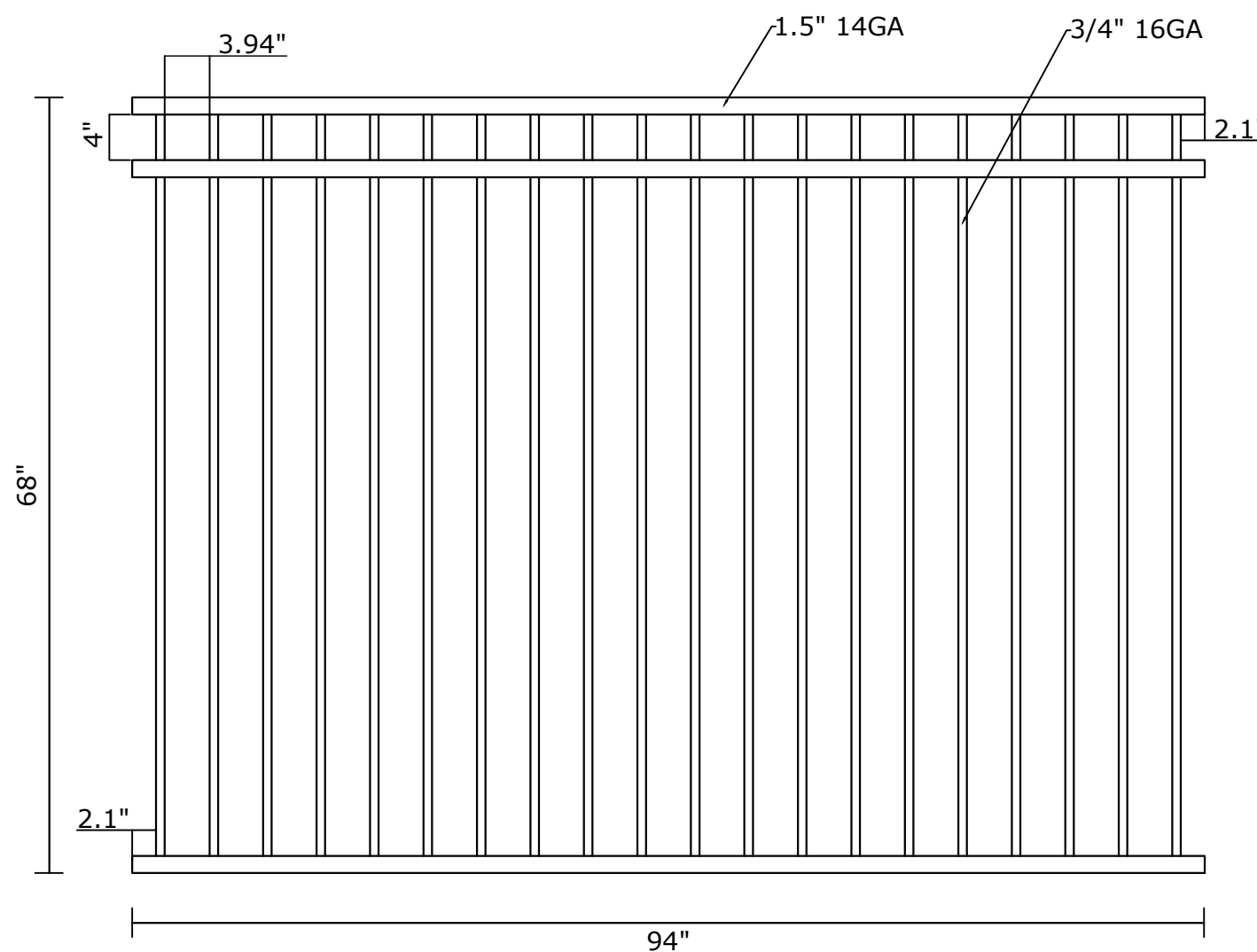




## Carnegie Panel Specifications

Top / Bottom Rail: 1.5" SQ x GALV 14 GA RAIL  
Pickets: 3/4" SQ x GALV 16 GA PICKET  
Picket Space: 3.94"

End Spacing: 2.1"  
Pickets Cut and Welded  
Coating: PRE-GALVANIZED and BLACK POWDER COATING



**VANTAGE FENCE**  
Premier Metal Fence Wholesale Supplier  
[www.vantagefence.com](http://www.vantagefence.com)

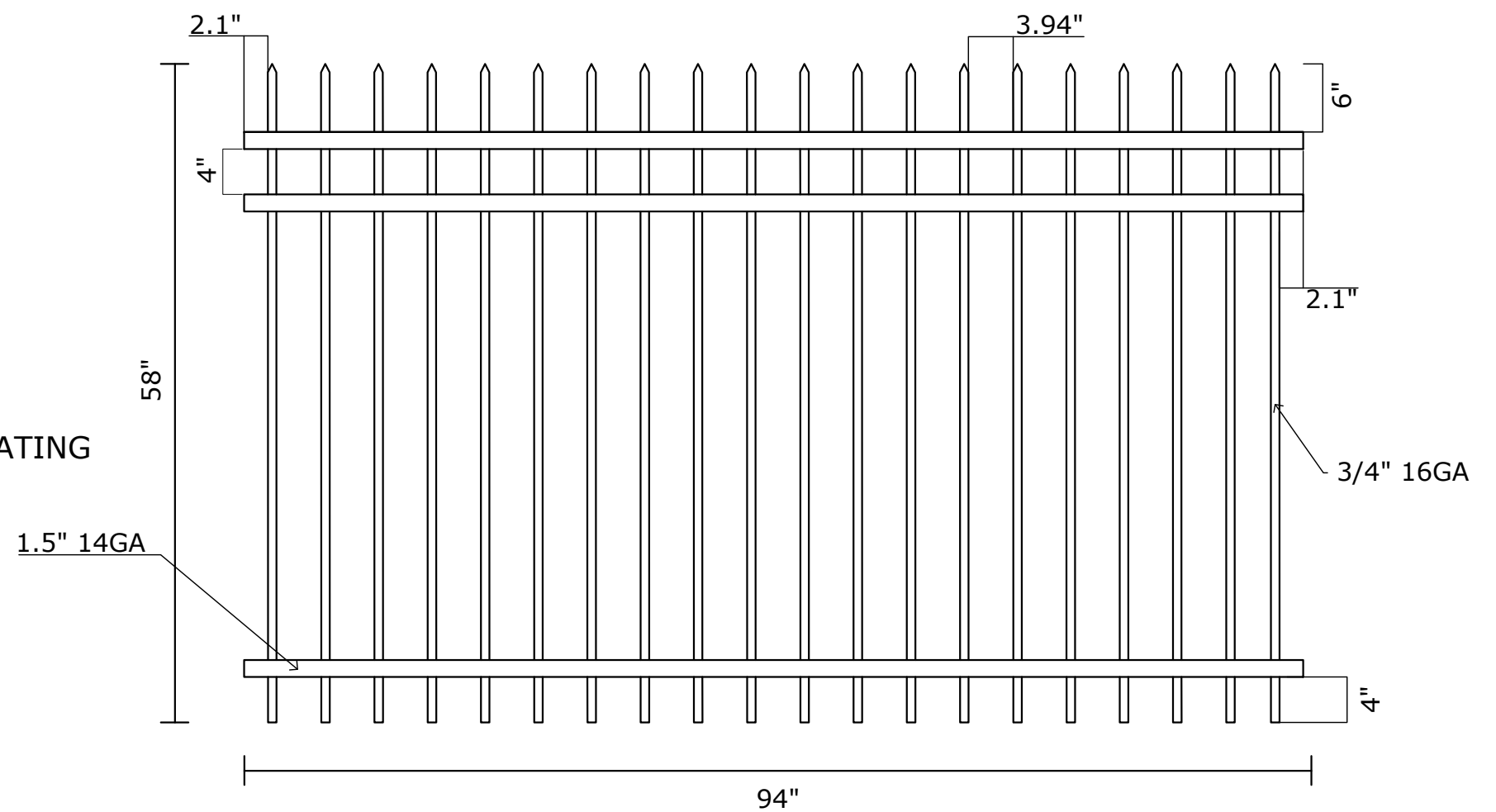
# Commercial Panels



## Sorrento Panel Specifications

Top / Bottom Rail: 1.5" SQ x GALV 14 GA RAIL  
Pickets: 3/4" SQ x GALV 16 GA PICKET  
Picket Space: 3.94"

End Spacing: 2.1"  
Pickets Cut and Welded  
Coating: PRE-GALVANIZED and BLACK POWDER COATING



**VANTAGE FENCE**  
Premier Metal Fence Wholesale Supplier  
[www.vantagefence.com](http://www.vantagefence.com)

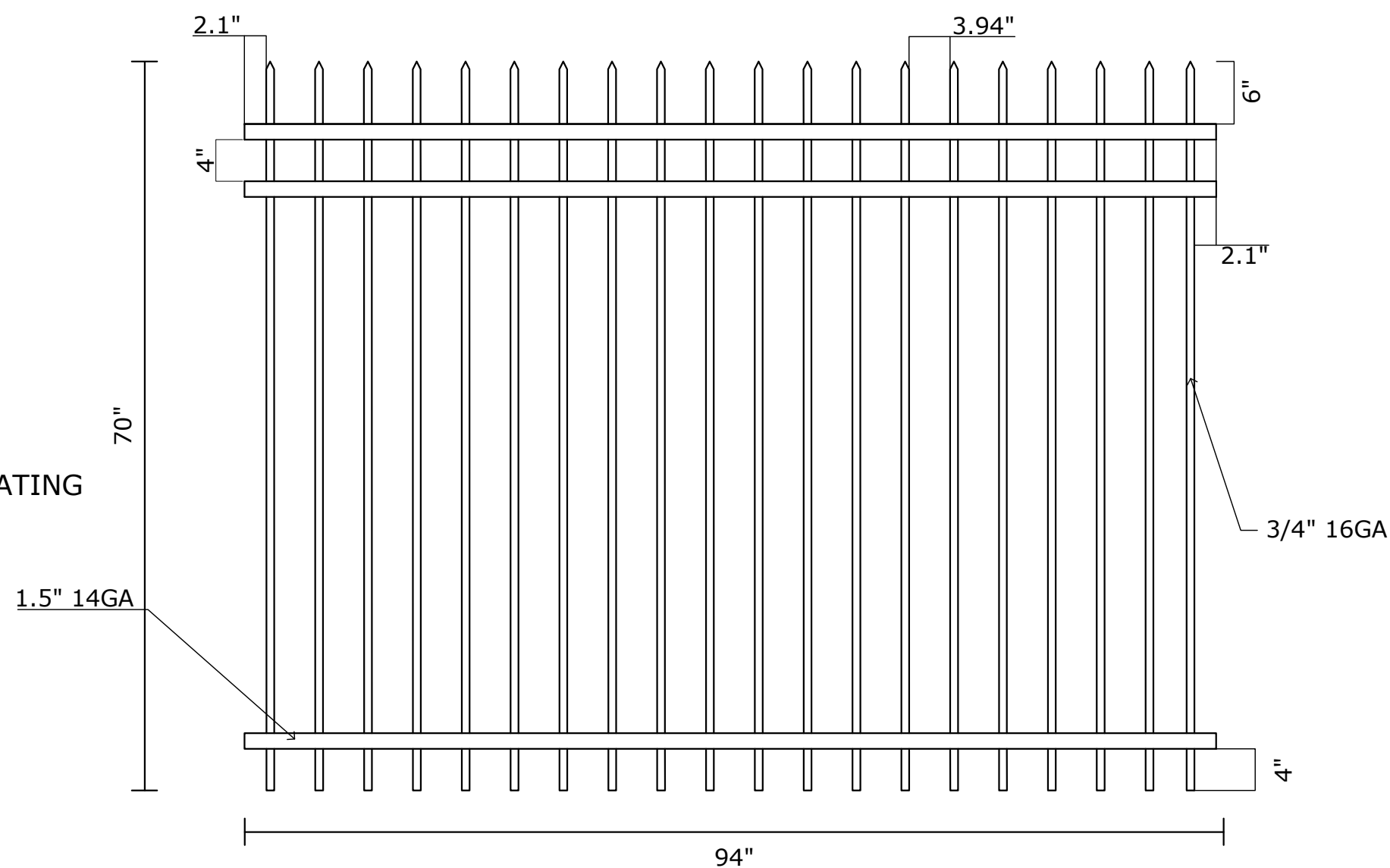
# Commercial Panels



## Sorrento Panel Specifications

Top / Bottom Rail: 1.5" SQ x GALV 14 GA RAIL  
Pickets: 3/4" SQ x GALV 16 GA PICKET  
Picket Space: 3.94"

End Spacing: 2.1"  
Pickets Cut and Welded  
Coating: PRE-GALVANIZED and BLACK POWDER COATING



**VANTAGE FENCE**  
Premier Metal Fence Wholesale Supplier  
[www.vantagefence.com](http://www.vantagefence.com)

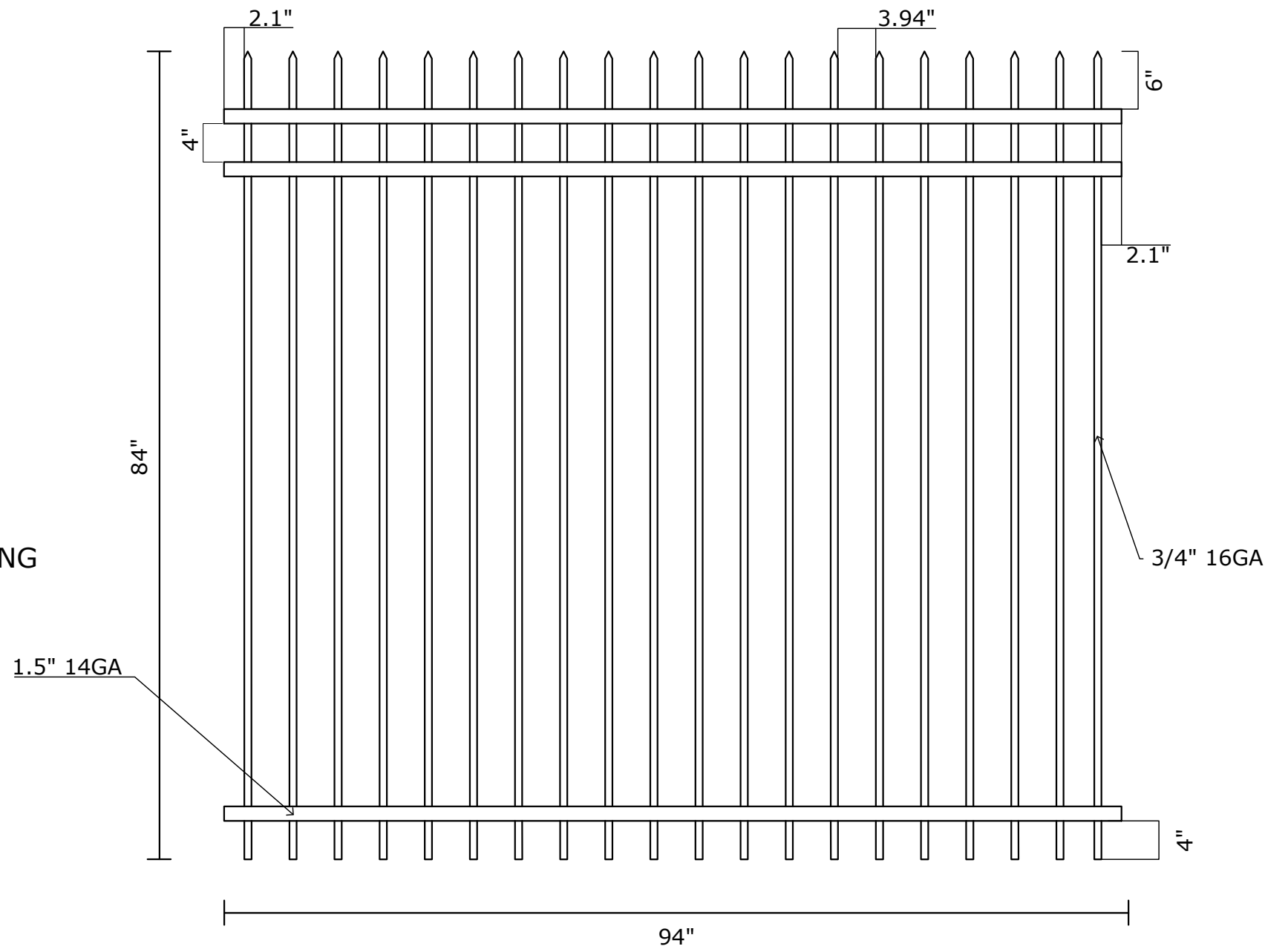
# Commercial Panels



## Sorrento Panel Specifications

Top / Bottom Rail: 1.5" SQ x GALV 14 GA RAIL  
Pickets: 3/4" SQ x GALV 16 GA PICKET  
Picket Space: 3.94"

End Spacing: 2.10"  
Pickets Cut and Welded  
Coating: PRE-GALVANIZED and BLACK POWDER COATING



**VANTAGE FENCE**  
Premier Metal Fence Wholesale Supplier  
[www.vantagefence.com](http://www.vantagefence.com)

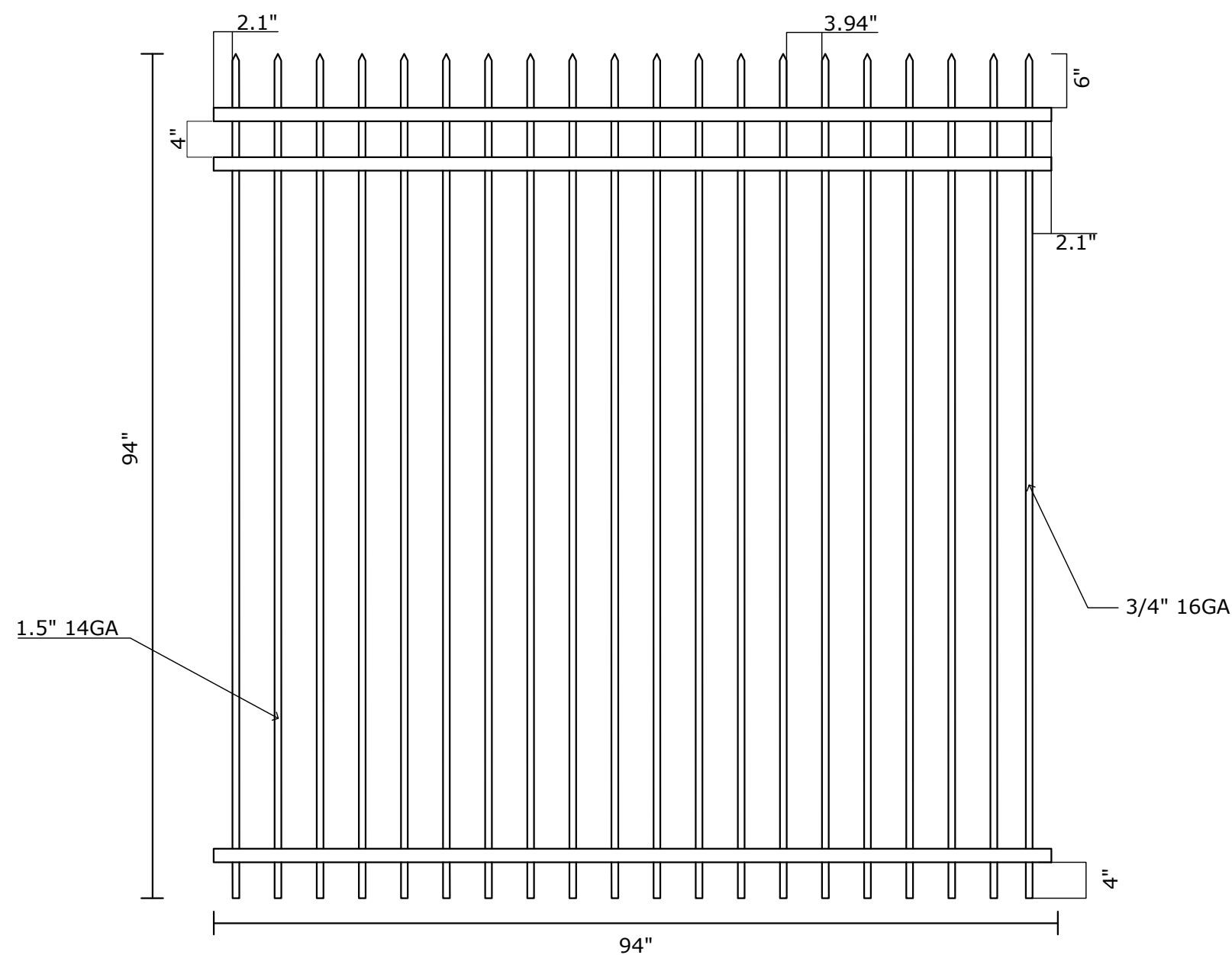
# Commercial Panels



## Sorrento Panel Specifications

Top / Bottom Rail: 1.5" SQ x GALV 14 GA RAIL  
Pickets: 3/4" SQ x GALV 16 GA PICKET  
Picket Space: 3.94"

End Spacing: 2.10"  
Pickets Cut and Welded  
Coating: PRE-GALVANIZED and BLACK POWDER COATING



**VANTAGE FENCE**  
Premier Metal Fence Wholesale Supplier  
[www.vantagefence.com](http://www.vantagefence.com)

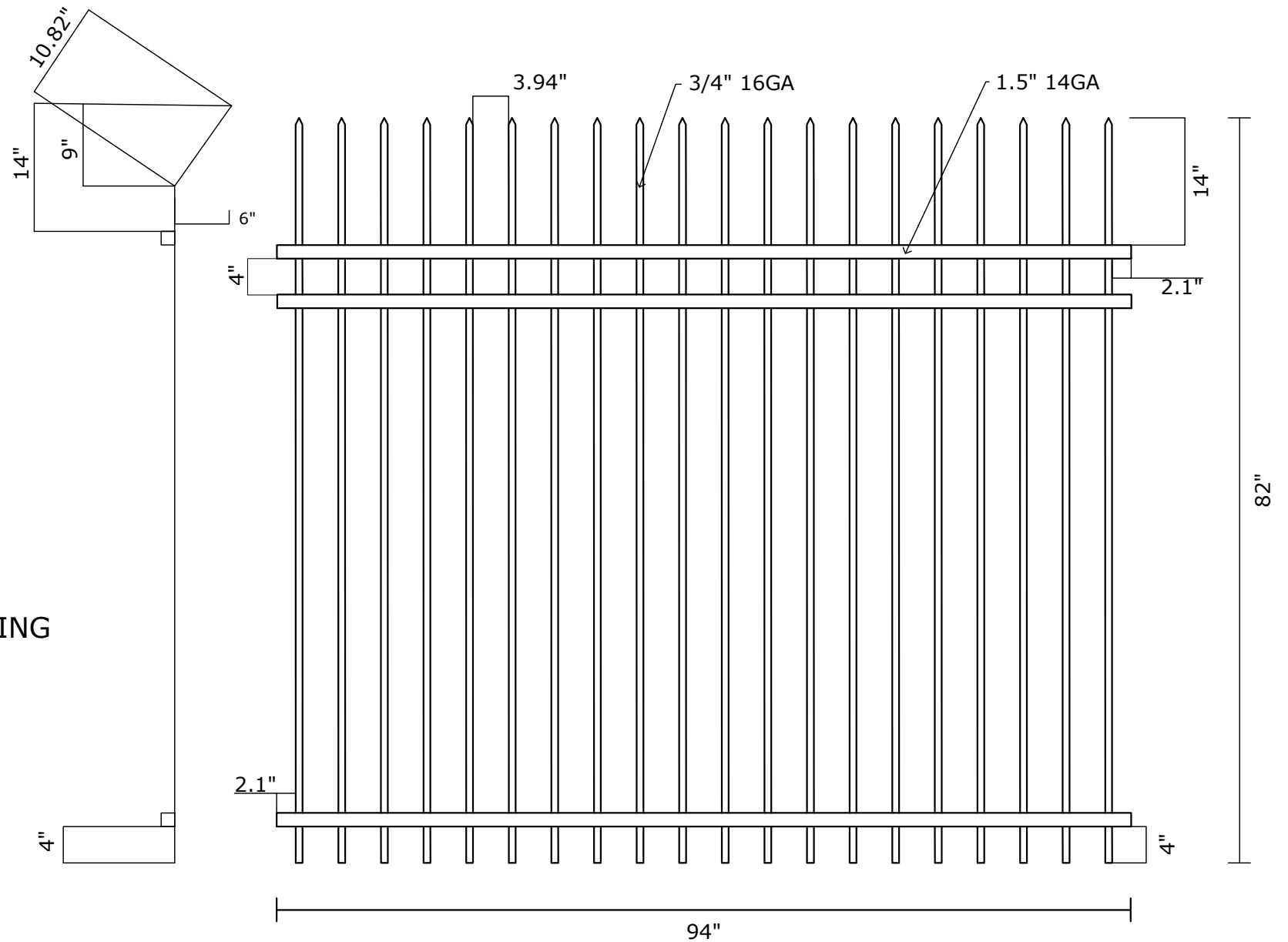
# Commercial Panels



## Brunswick Panel Specifications

Top / Bottom Rail: 1.5" SQ x GALV 14 GA RAIL  
Pickets: 3/4" SQ x GALV 16 GA PICKET  
Picket Space: 3.94"

End Spacing: 2.1"  
Pickets Cut and Welded  
Coating: PRE-GALVANIZED and BLACK POWDER COATING



**VANTAGE FENCE**  
Premier Metal Fence Wholesale Supplier  
[www.vantagefence.com](http://www.vantagefence.com)

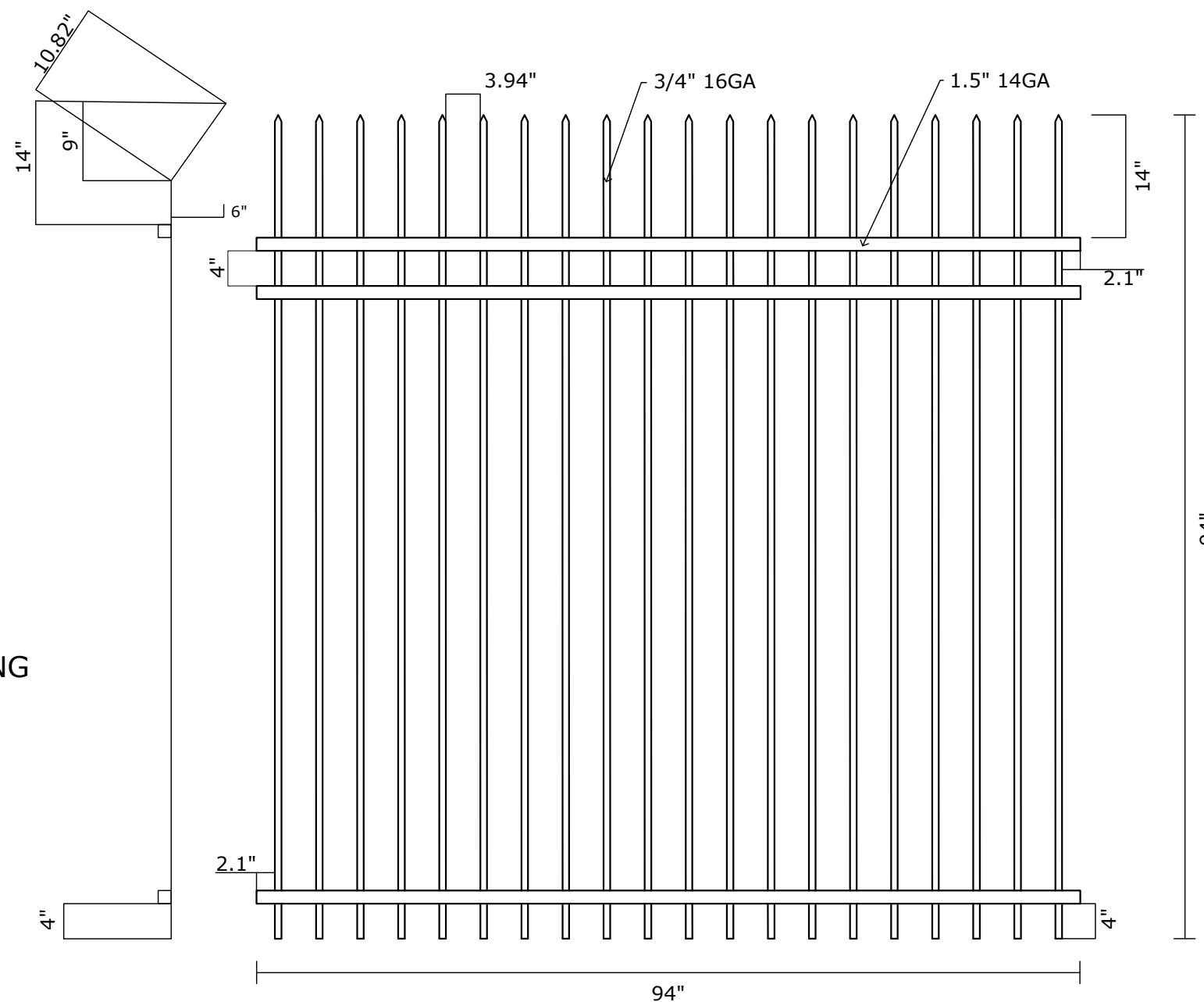
# Commercial Panels



## Brunswick Panel Specifications

Top / Bottom Rail: 1.5" SQ x GALV 14 GA RAIL  
Pickets: 3/4" SQ x GALV 16 GA PICKET  
Picket Space: 3.94"

End Spacing: 2.1"  
Pickets Cut and Welded  
Coating: PRE-GALVANIZED and BLACK POWDER COATING



**VANTAGE FENCE**  
Premier Metal Fence Wholesale Supplier  
[www.vantagefence.com](http://www.vantagefence.com)

# Commercial Panels